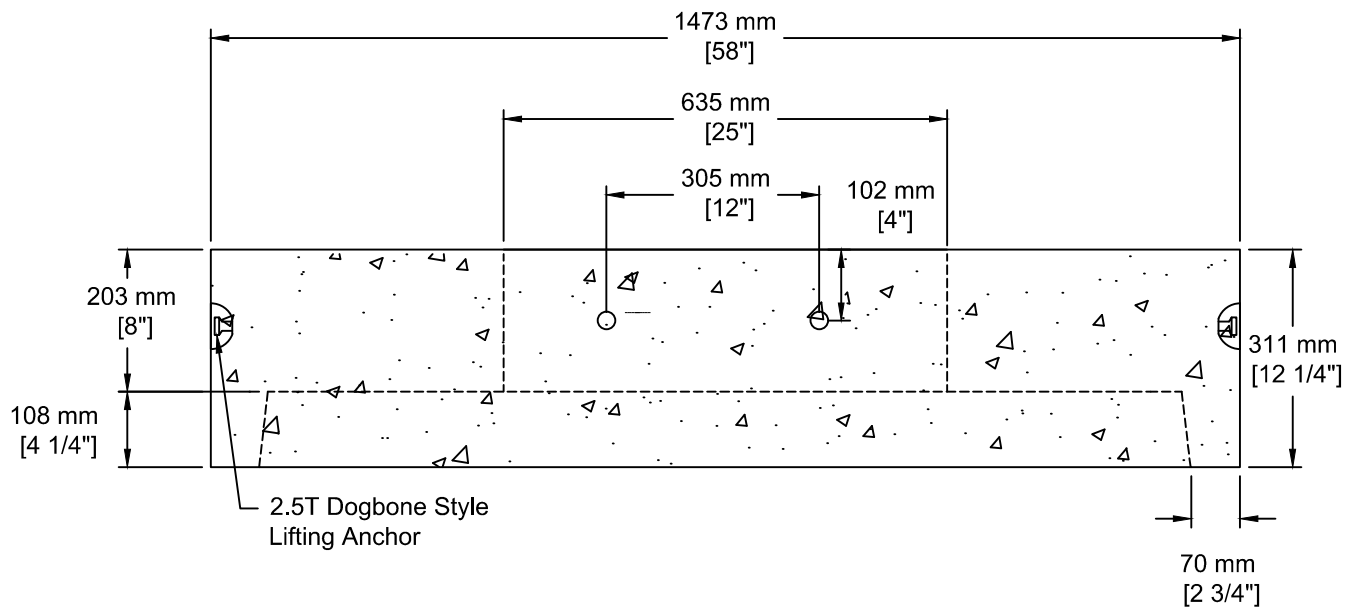


**INSTALLATION INFORMATION**

3 - 2.5T DOGBONE STYLE LIFTING ANCHORS

WEIGHT: 1632 LBS / 740 KG




**SOUTH OKANAGAN CONCRETE PRODUCTS LTD**  
 TEL: 250-495-7556  
 socp@socp.ca  
 www.socp.ca  
Box 419, 11602 - 115 st Osoyoos, BC V0H 1V0 FAX: 250-495-3556

**1200 ID (48")**  
**Drywell Lid - 635 mm Op**

**Product #**  
**0266**