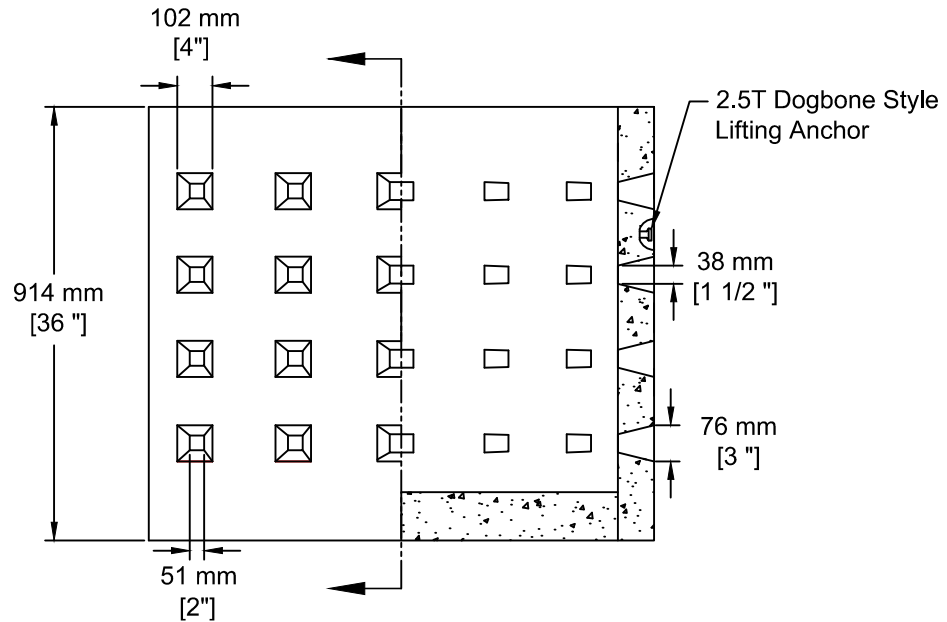


INSTALLATION INFORMATION

2 - 2.5T DOGBONE STYLE LIFTING ANCHORS

40 DRAIN HOLES

WEIGHT: 1505 LBS / 683 KG



TEL: 250-495-7556
socp@socp.ca
www.socp.ca

Box 419, 11602 - 115 st Osoyoos, BC V0H 1V0

FAX: 250-495-3556

**900 ID (36") x 0.91vm Drywell
- IB c/w Inside Base**

Product #

0254-IB