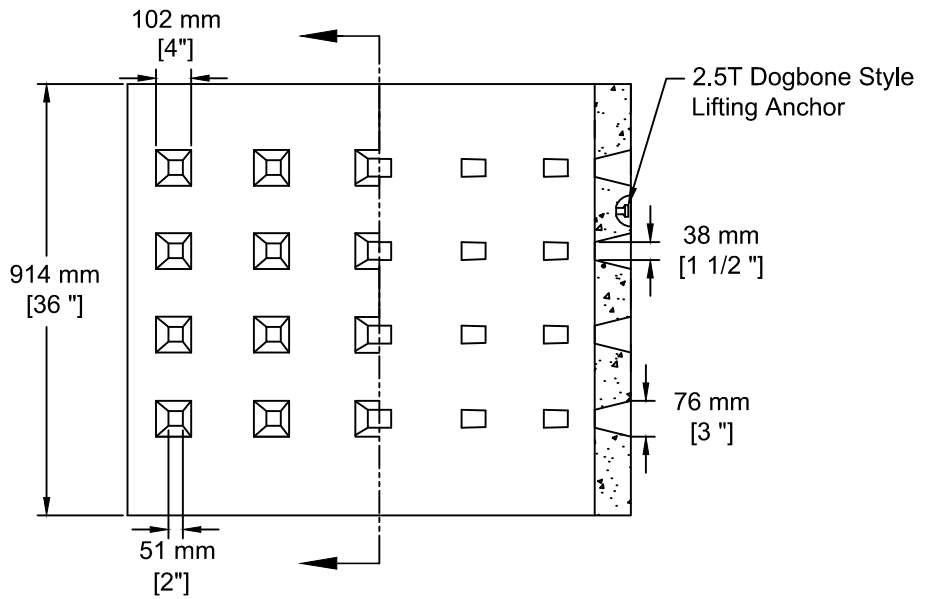


INSTALLATION INFORMATION

2 - 2.5T DOGBONE STYLE LIFTING ANCHORS

40 DRAIN HOLES

WEIGHT: 1002 LBS / 455 KG



TEL: 250-495-7556

socp@socp.ca

www.socp.ca

SOUTH OKANAGAN
CONCRETE PRODUCTS LTD

Box 419, 11602 - 115 st Osoyoos, BC V0H 1V0

FAX: 250-495-3556

900 ID (36") x 0.91vm Drywell

Product #

0254