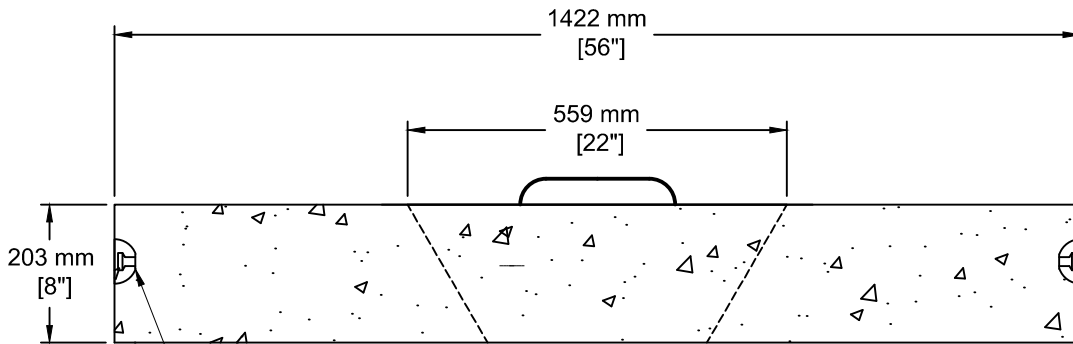


INSTALLATION INFORMATION

3 - 2.5T DOGBONE STYLE LIFTING ANCHORS

WEIGHT: 1892 LBS / 858 KG



2.5T Dogbone Style
Lifting Anchor



TEL: 250-495-7556
socp@socp.ca
www.socp.ca

Box 419, 11602 - 115 st Osoyoos, BC V0H 1V0

FAX: 250-495-3556

**1200 ID (48") Well Tile Lid
- MHP c/w Manhole Plug**

Product #

0228-MhP