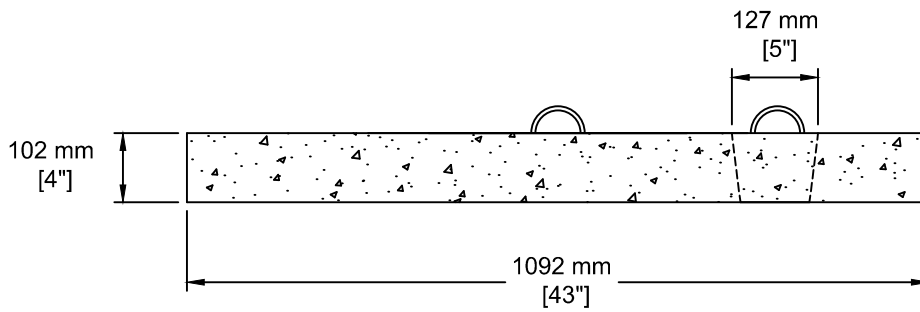


INSTALLATION INFORMATION

1 - 10 MM [3/8"] LIFTING ANCHOR

WEIGHT: 305 LBS / 138 KG



TEL: 250-495-7556
socp@socp.ca
www.socp.ca

Box 419, 11602 - 115 st Osoyoos, BC V0H 1V0

FAX: 250-495-3556

**900 ID (36") Well Tile Lid
- P c/w Insp Plug**

Product #

0223-P