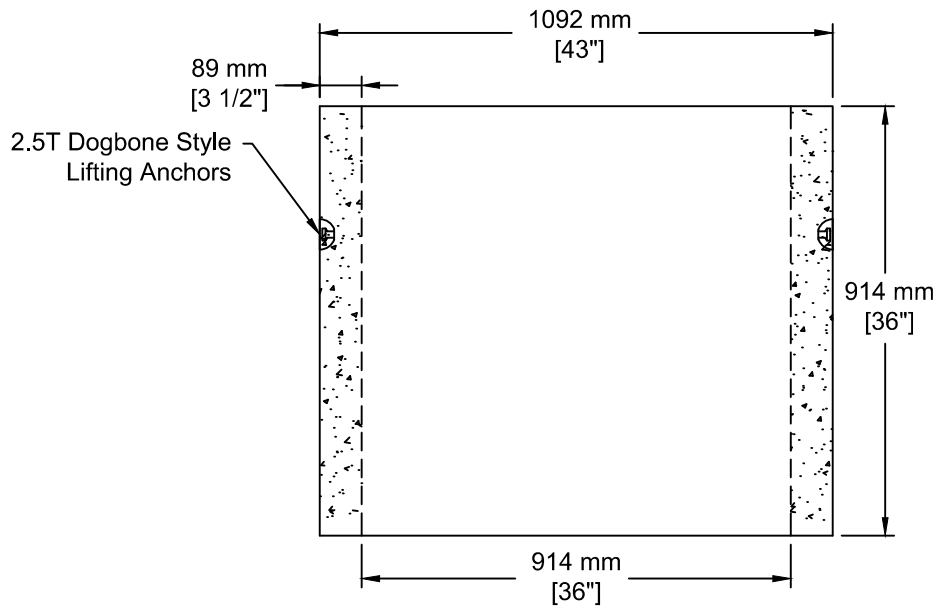


**INSTALLATION INFORMATION**

**2 - 2.5T DOGBONE STYLE LIFTING ANCHORS**

**WEIGHT: 1296 LBS / 589 KG**



TEL: 250-495-7556  
 socp@socp.ca  
 www.socp.ca

Box 419, 11602 - 115 st Osoyoos, BC V0H 1V0

FAX: 250-495-3556

**900 ID (36") x 0.91vm  
 Well Tile Riser**

**Product #**

**0205**