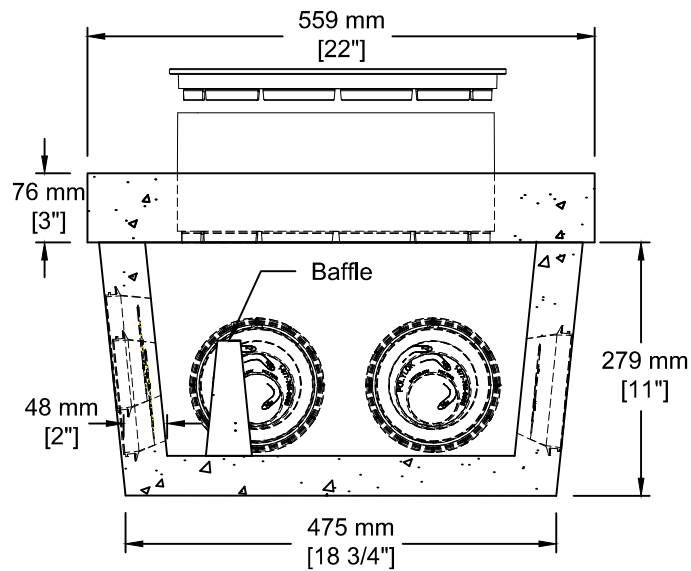


**INSTALLATION INFORMATION**

1-INLET / 8-OUTLET

WEIGHT: 228 LBS / 104 KG



TEL: 250-495-7556  
socp@socp.ca  
www.socp.ca

9 Hole Distribution Box & Lid c/w  
305 mm (12") Poly Riser & Cover

Product #

**0173**