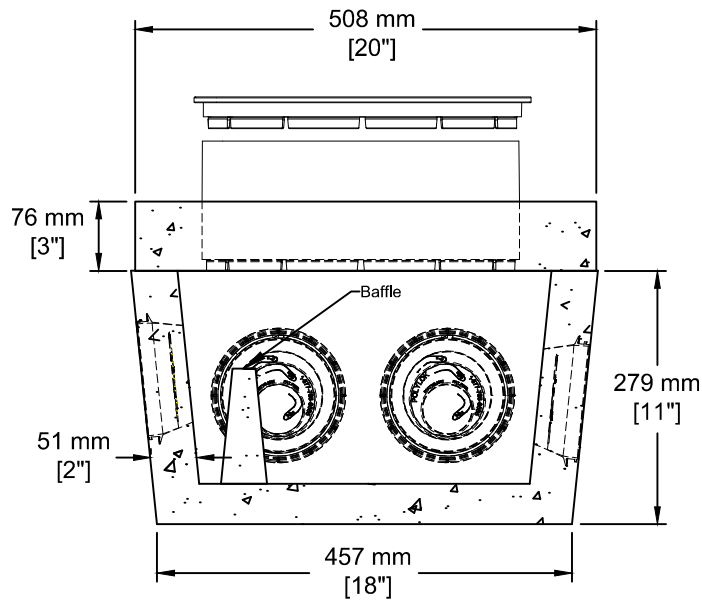


**INSTALLATION INFORMATION**

1-INLET / 6-OUTLET

WEIGHT: 198 LBS / 90 KG



7 Hole Distribution Box & Lid c/w  
305 mm (12") Poly Riser & Cover

Product #  
**0172**



TEL: 250-495-7556  
socp@socp.ca  
www.socp.ca