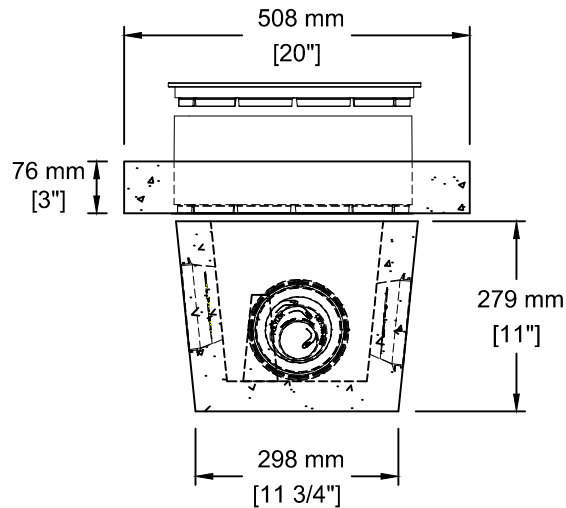


INSTALLATION INFORMATION

1-INLET / 3-OUTLET

WEIGHT: 136 LBS / 62 KG



4 Hole Distribution Box & Lid c/w
305 mm (12") Poly Riser & Cover

Product #

0171



TEL: 250-495-7556
socp@socp.ca
www.socp.ca