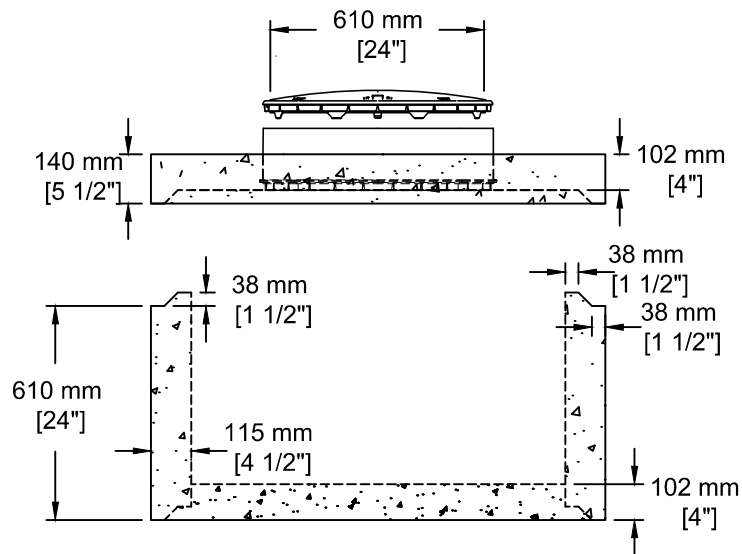


INSTALLATION INFORMATION

- 8" DRAW DOWN - 40 GAL DOSE (182 L)
- 2 - 2.5T DOGBONE STYLE LIFTING ANCHORS (BARREL)
- 3 - 2.5T DOGBONE STYLE LIFTING ANCHORS (LID)
- WEIGHT: 3403 LBS / 1543 KG



TEL: 250-495-7556
 socp@socp.ca
 www.socp.ca

Box 419, 11602 - 115 st Osoyoos, BC V0H 1V0

FAX: 250-495-3556

1050 ID (42") x 0.61vm
 Dosing Chamber

Product #
0163-40