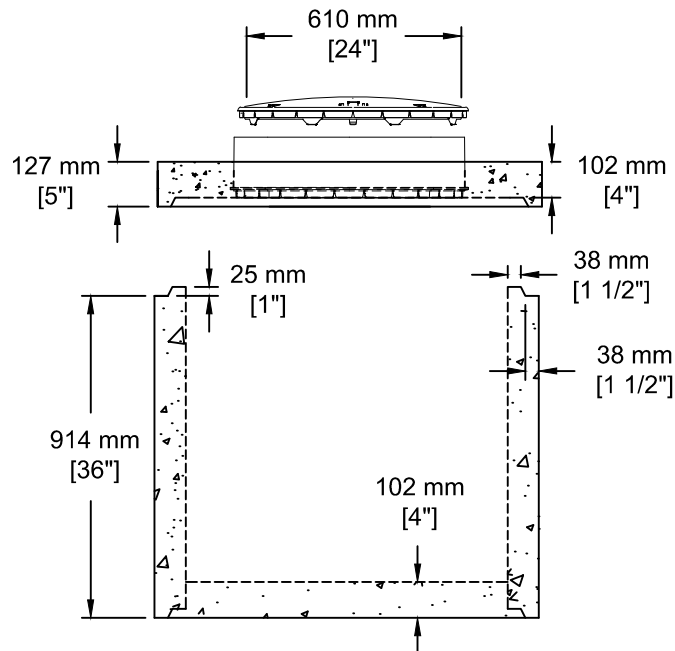


NOTE:
 20" DRAW DOWN - 75 GAL DOSE (340 L)
 2 - 2.5T DOGBONE STYLE LIFTING ANCHORS FOR HANDLING (BARREL)
 2 - 2.5T DOGBONE STYLE LIFTING ANCHORS FOR HANDLING (LID)
 WEIGHT: 2384 LBS / 1081 KG



SOCPC
 SOUTH OKANAGAN
 CONCRETE PRODUCTS LTD
 Box 419, 11602 - 115 st Osoyoos, BC V0H 1V0
 TEL: 250-495-7556
 socp@socp.ca
 www.socp.ca
 FAX: 250-495-3556

**900 ID (36") x 0.91vm
 Dosing Chamber**

**Product #
 0162-75**