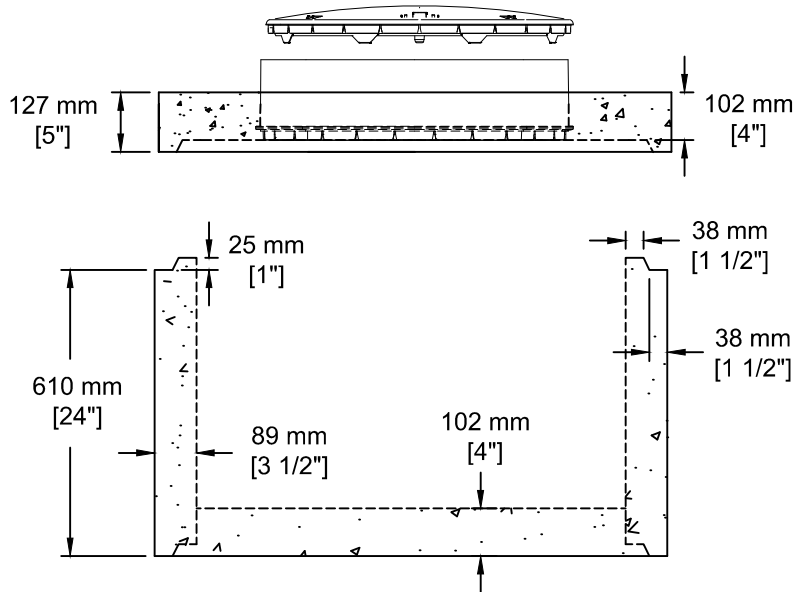


**INSTALLATION INFORMATION**

8" DRAW DOWN - 30 GAL DOSE (136 L)  
 2 - 2.5T DOGBONE STYLE LIFTING ANCHORS (BARREL)  
 2 - 2.5T DOGBONE STYLE LIFTING ANCHORS (LID)  
 WEIGHT: 1957 LBS / 888 KG



TEL: 250-495-7556  
 socp@socp.ca  
 www.socp.ca

Box 419, 11602 - 115 st Osoyoos, BC V0H 1V0

FAX: 250-495-3556

900 ID (36") x 0.61vm  
 Dosing Chamber

Product #

**0162-30**