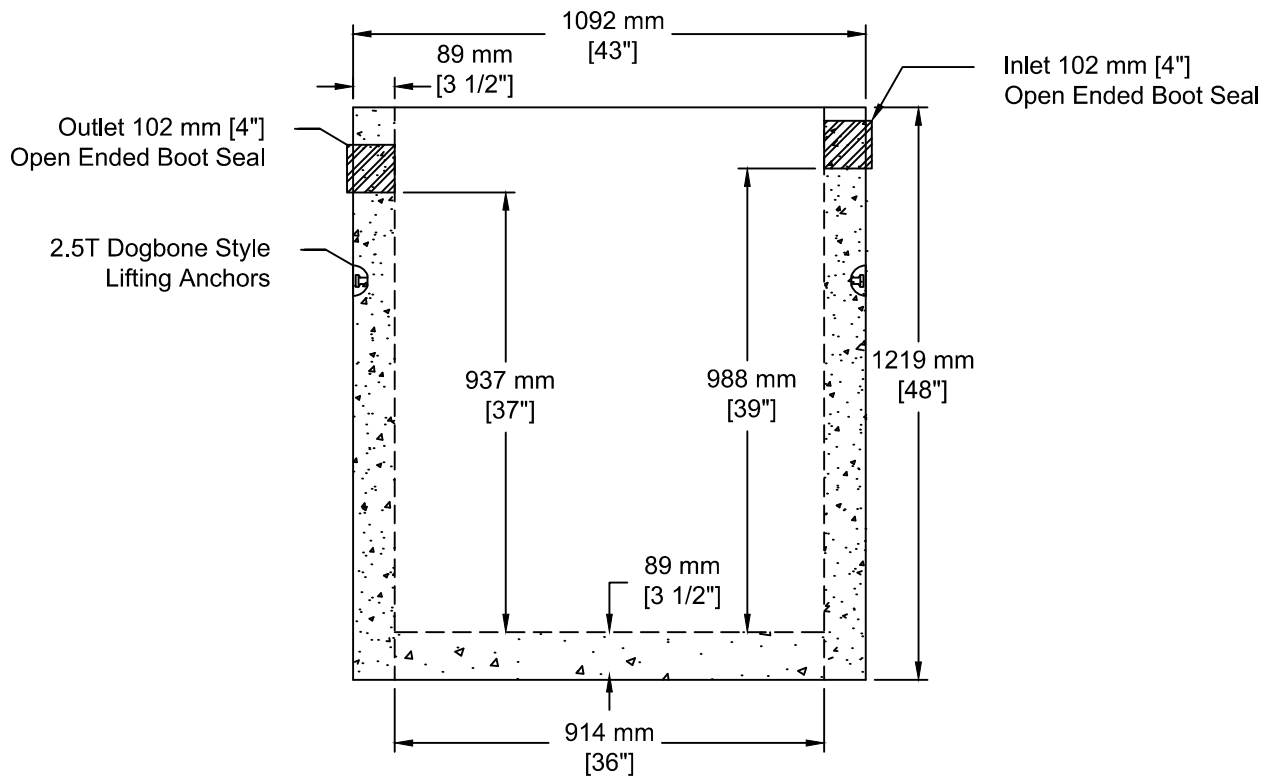


INSTALLATION INFORMATION

2 - 2.5T DOGBONE STYLE LIFTING ANCHORS
 2 - 102 mm [4"] OPEN ENDED RUBBER BOOT SEALS
 WEIGHT: 1209 LBS / 2798 KG



TEL: 250-495-7556
 socp@socp.ca
 www.socp.ca

Box 419, 11602 - 115 st Osoyoos, BC V0H 1V0

FAX: 250-495-3556

**900 ID (36") x 1.2vm
 Grease Trap**

Product #

0146