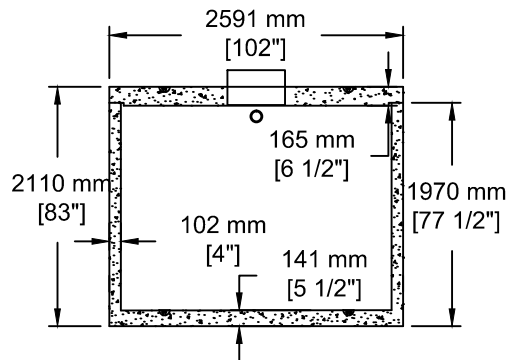
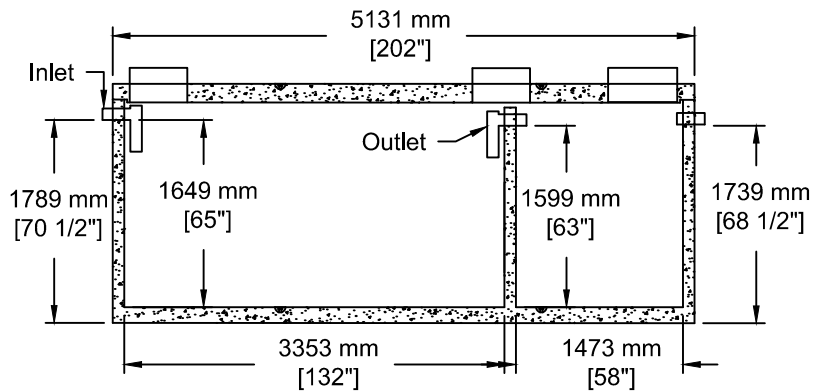


**INSTALLATION INFORMATION**

- 4 - 5T DOGBONE STYLE LIFTING ANCHORS (LID)
- 4 - 5T DOGBONE STYLE LIFTING ANCHORS (TANK)
- GASKET: CONSEAL BUTYL SEALANT

**DESIGN SPECIFICATION**  
RESIDENTIAL LOADING

BURIAL DEPTH - **NO GREATER THAN 1M**  
MANUFACTURED IN ACCORDANCE WITH:  
CSA A23.4, B-66  
ASTM C1227



TEL: 250-495-7556  
socp@socp.ca  
www.socp.ca

**SOUTH OKANAGAN  
CONCRETE PRODUCTS LTD**

Box 419, 11602 - 115 st Osoyoos, BC V0H 1V0

FAX: 250-495-3556

(4000) TS-2Ch 12183 litres (2680 gal)  
1-Comp Septic Tank / 6000 litres (1320 gal)  
Pump Chamber

Product #

0135-40