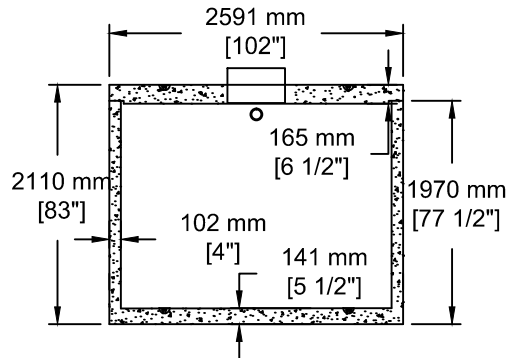
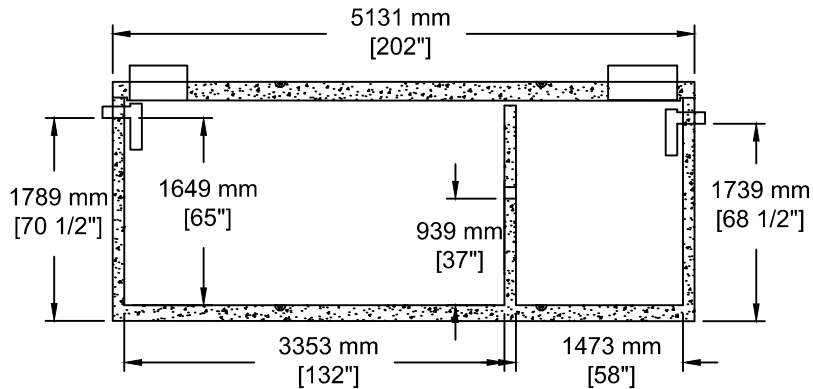


INSTALLATION INFORMATION

- 4 - 5T DOGBONE STYLE LIFTING ANCHORS (LID)
- 4 - 5T DOGBONE STYLE LIFTING ANCHORS (TANK)
- GASKET: CONSEAL BUTYL SEALANT

DESIGN SPECIFICATION
RESIDENTIAL LOADING

BURIAL DEPTH - **NO GREATER THAN 1M**
MANUFACTURED IN ACCORDANCE WITH:
CSA A23.4, B-66
ASTM C1227



TEL: 250-495-7556
socp@socp.ca
www.socp.ca

SOUTH OKANAGAN
CONCRETE PRODUCTS LTD

Box 419, 11602 - 115 st Osoyoos, BC V0H 1V0

FAX: 250-495-3556

TS-2Ch 18184 litres (4000 gal)
Septic Tank

Product #

0130-40