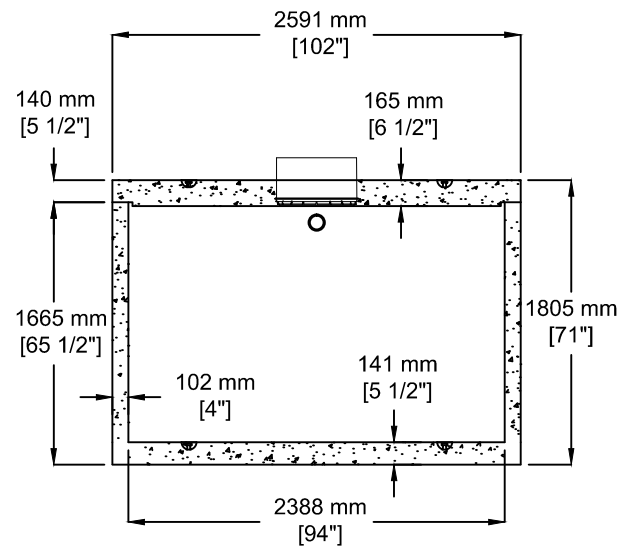
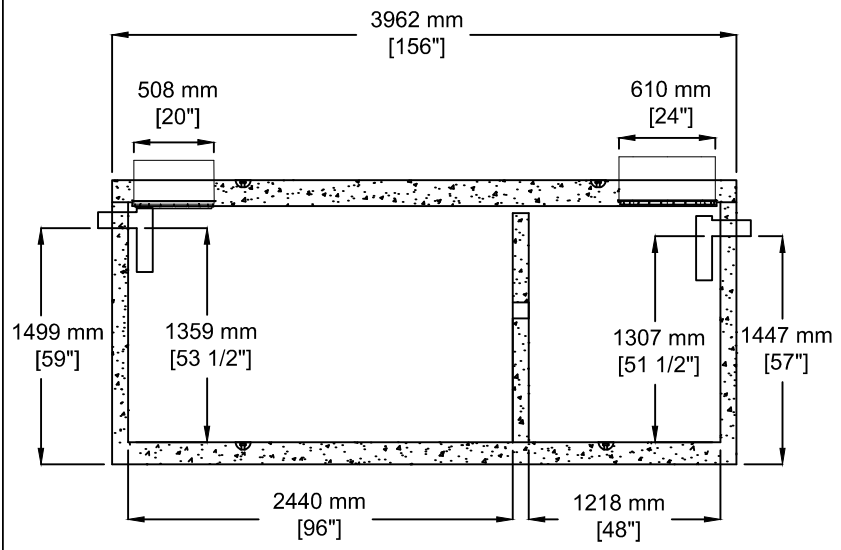


INSTALLATION INFORMATION

- 4 - 5T DOGBONE STYLE LIFTING ANCHORS (LID)
- 4 - 5T DOGBONE STYLE LIFTING ANCHORS (TANK)
- GASKET: CONSEAL BUTYL SEALANT

**DESIGN SPECIFICATION
RESIDENTIAL LOADING**

BURIAL DEPTH - NO GREATER THAN 1M
 MANUFACTURED IN ACCORDANCE WITH: CSA A23.4, B-66
 ASTM C1227



SOC
 SOUTH OKANAGAN
 CONCRETE PRODUCTS LTD

TEL: 250-495-7556
 socp@socp.ca
 www.socp.ca

Box 419, 11602 - 115 st Osoyoos, BC V0H 1V0 FAX: 250-495-3556

TS-2Ch 11365 litres (2500 gal)
 Septic Tank

Product #
 0130-25