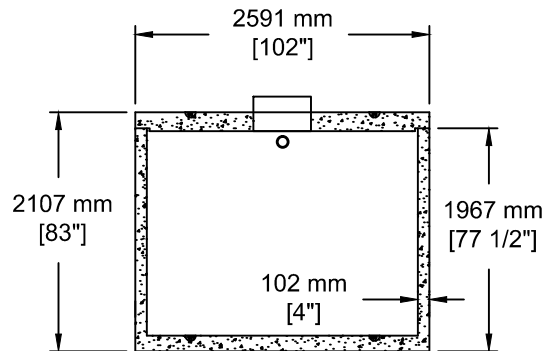
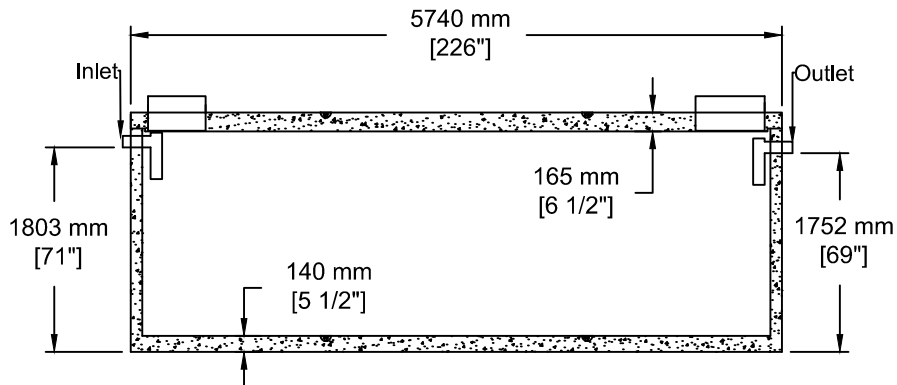


**INSTALLATION INFORMATION**

- 4 - 5T DOGBONE STYLE LIFTING ANCHORS (LID)
- 4 - 5T DOGBONE STYLE LIFTING ANCHORS (TANK)
- GASKET: CONSEAL BUTYL SEALANT

**DESIGN SPECIFICATION**  
**RESIDENTIAL LOADING**

BURIAL DEPTH - **NO GREATER THAN 1M**  
 MANUFACTURED IN ACCORDANCE WITH: CSA  
 A23.4, B-66  
 ASTM C1227



TEL: 250-495-7556  
 socp@socp.ca  
 www.socp.ca

Box 419, 11602 - 115 st Osoyoos, BC V0H 1V0

FAX: 250-495-3556

TS-1Ch 20457 litres (4500 Gal)  
 Septic Tank

Product #  
 0115-45