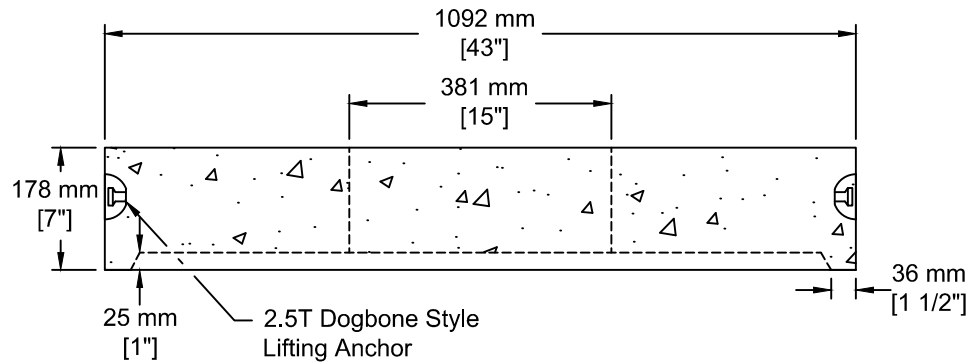


INSTALLATION INFORMATION
 2 - 2.5T DOGBONE STYLE LIFTING ANCHORS
 WEIGHT: 515 LBS / 235 KG



TEL: 250-495-7556
 socp@socp.ca
 www.socp.ca

Box 419, 11602 - 115 st Osoyoos, BC V0H 1V0

FAX: 250-495-3556

**900 ID (36")
 Manhole Lid - B37 Op**

Product #

0318-B37