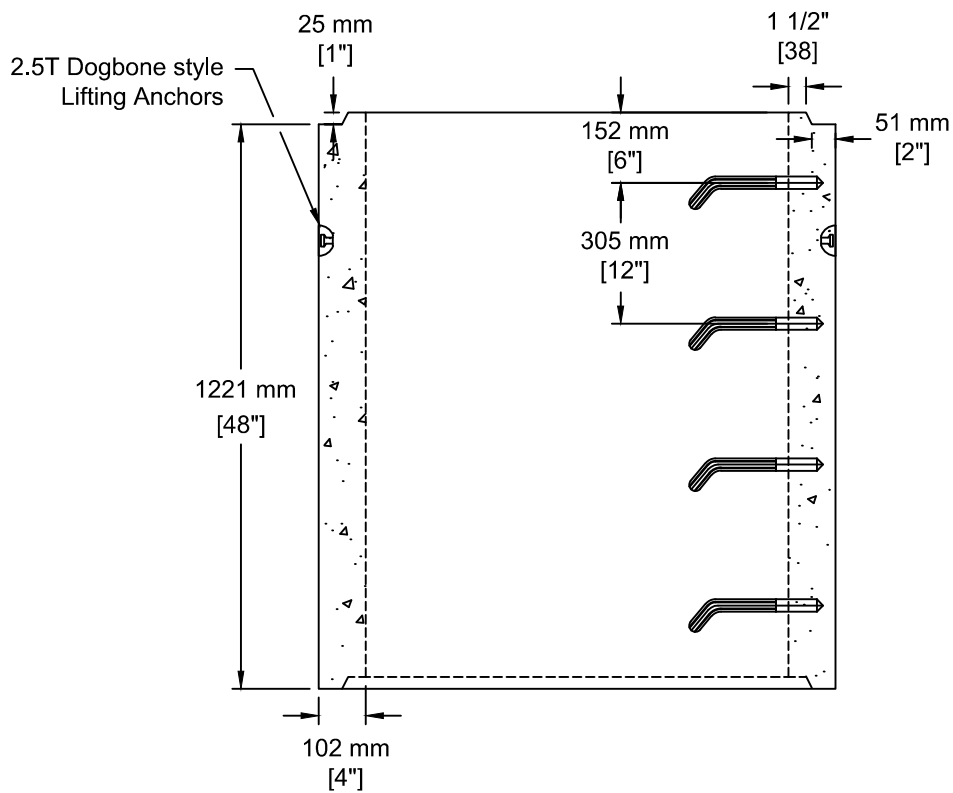


INSTALLATION INFORMATION
 DESIGN SPECIFICATION - ASTM C478
 2 - 2.5T DOGBONE STYLE LIFTING ANCHORS
 WEIGHT: 1708 LBS / 775 KG



TEL: 250-495-7556
 socp@socp.ca
 www.socp.ca

900 ID (36")
 Manhole Riser x 1.2vm

Product #
 0314