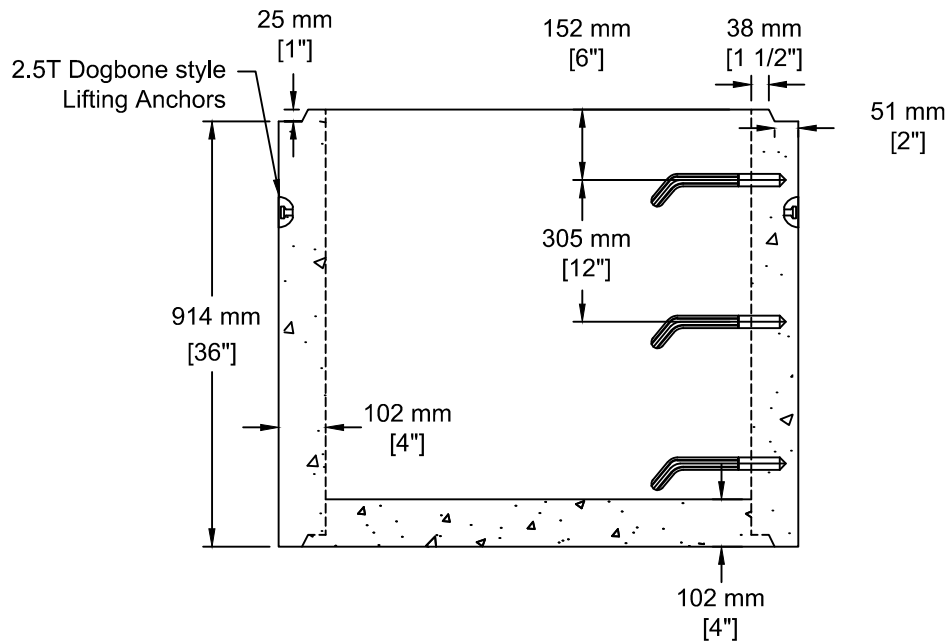


INSTALLATION INFORMATION
 DESIGN SPECIFICATION - ASTM C478
 2 - 2.5T DOGBONE STYLE LIFTING ANCHORS
 WEIGHT: 1783 LBS / 809 KG



TEL: 250-495-7556
 socp@socp.ca
 www.socp.ca

Box 419, 11602 - 115 st Osoyoos, BC V0H 1V0

FAX: 250-495-3556

**900 ID (36") x 0.91vm Manhole
 - IB c/w Inside Base**

**Product #
 0313-IB**