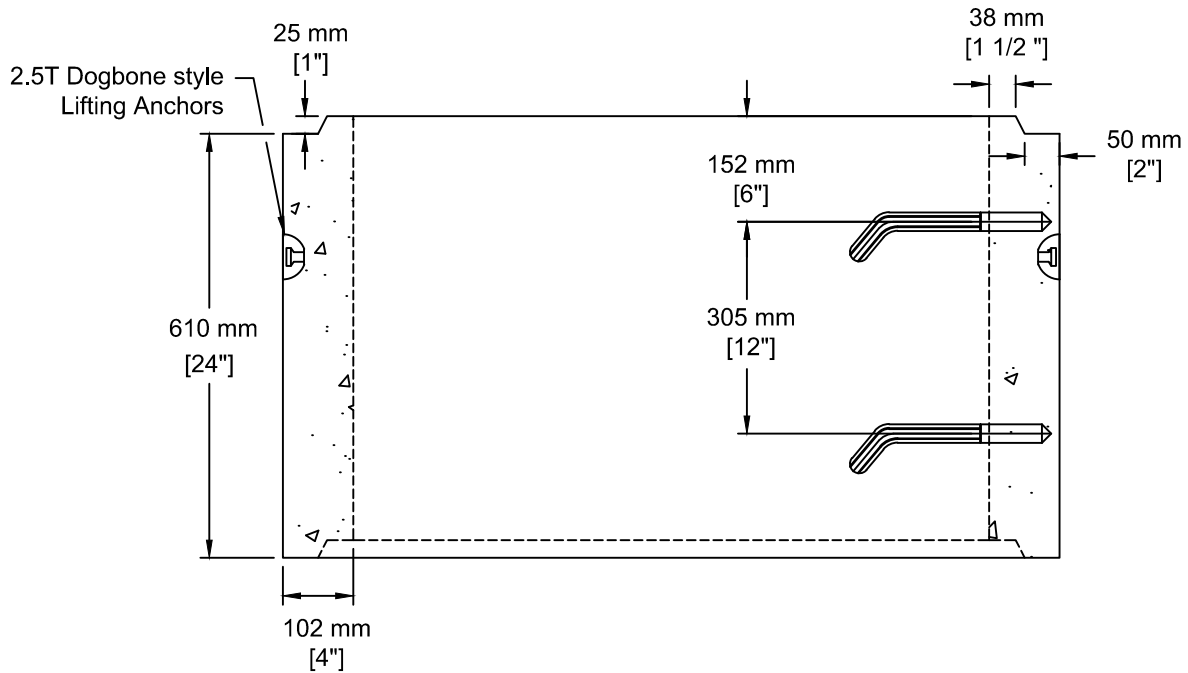


**INSTALLATION INFORMATION**  
**DESIGN SPECIFICATION - ASTM C478**  
**2 - 2.5T DOGBONE STYLE LIFTING ANCHORS**  
**WEIGHT: 854 LBS / 388KG**



TEL: 250-495-7556  
 socp@socp.ca  
 www.socp.ca

900 ID (36") 0.61vm  
 Manhole Riser

Product #  
 0312