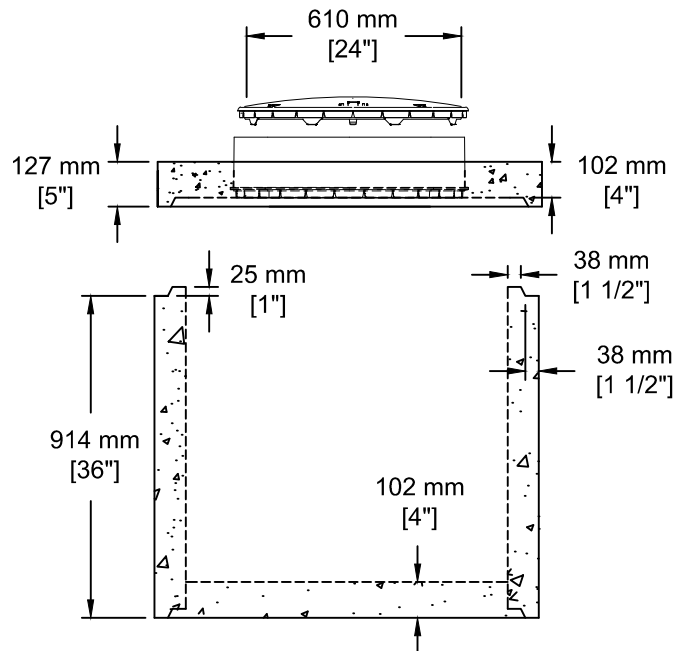


**NOTE:**  
 20" DRAW DOWN - 75 GAL DOSE (340 L)  
 2 - 2.5T DOGBONE STYLE LIFTING ANCHORS FOR HANDLING (BARREL)  
 2 - 2.5T DOGBONE STYLE LIFTING ANCHORS FOR HANDLING (LID)  
 WEIGHT: 2384 LBS / 1081 KG



**SOCPC**  
 SOUTH OKANAGAN  
 CONCRETE PRODUCTS LTD  
 TEL: 250-495-7556  
 socp@socp.ca  
 www.socp.ca  
 Box 419, 11602 - 115 st Osoyoos, BC V0H 1V0 FAX: 250-495-3556

120 Gal Dosing Chamber (545 L)  
 /c .91 vm Barrel / 100 mm IB / 100 mm Lid

Product #  
**0162-75**