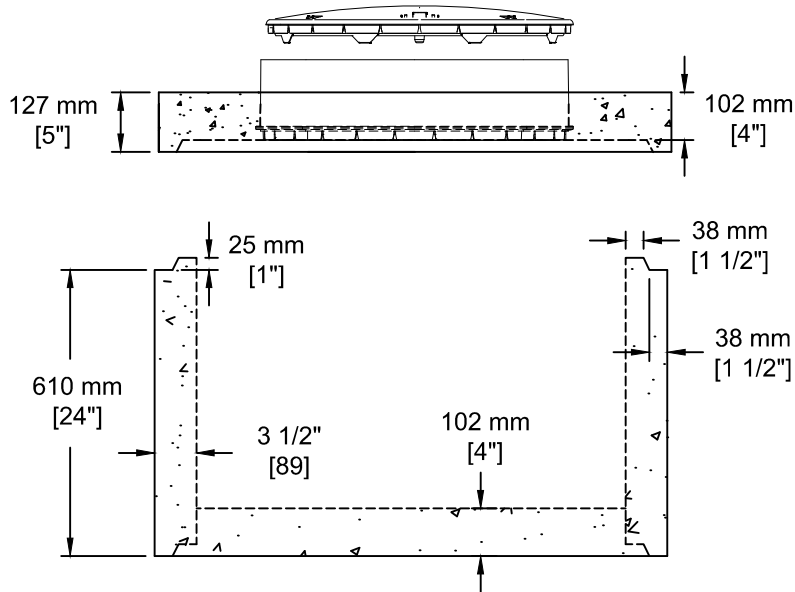


INSTALLATION INFORMATION

8" DRAW DOWN - 30 GAL DOSE (136 L)
 2 - 2.5T DOGBONE STYLE LIFTING ANCHORS (BARREL)
 2 - 2.5T DOGBONE STYLE LIFTING ANCHORS (LID)
 WEIGHT: 1957 LBS / 888 KG



TEL: 250-495-7556
 socp@socp.ca
 www.socp.ca

Box 419, 11602 - 115 st Osoyoos, BC V0H 1V0

FAX: 250-495-3556

75 Gal Dosing Chamber (340 L)
 /c .61 vm Barrel / 100 mm IB / 100 mm Lid

Product #

0162-30