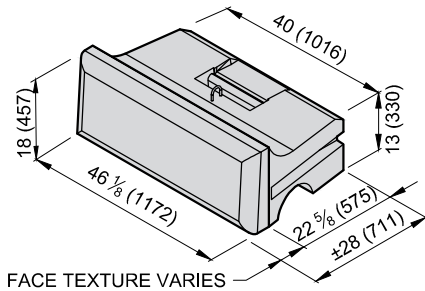
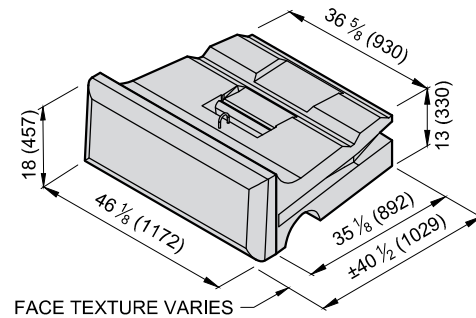


28" (710mm) PC TOP**#0816 28PCT**

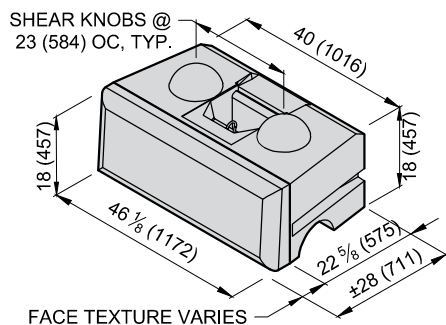
Face Texture: LedgeStone
 Block Weight: 1096 lb (497 kg)
 Block Volume: 7.66 ft³ (0.217 m³)
 Center of Gravity: 14.6" (372 mm)

**41" (1030mm) PC TOP****#0819 41PCT**

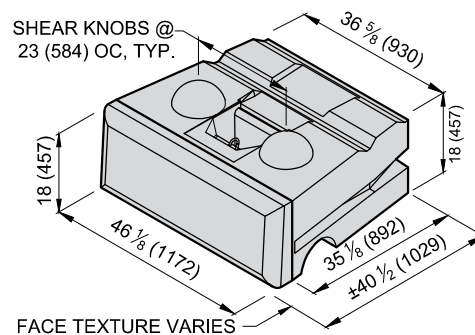
Face Texture: LedgeStone
 Block Weight: 1556 lb (706 kg)
 Block Volume: 10.88 ft³ (0.31 m³)
 Center of Gravity: 21.1" (536 mm)

**28" (710mm) PC MIDDLE****#0817 28PCM**

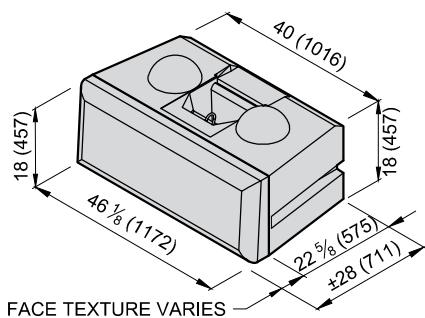
Face Texture: LedgeStone
 Block Weight: 1447 lb (656 kg)
 Block Volume: 10.12 ft³ (0.287 m³)
 Center of Gravity: 13.6" (346 mm)

**41" (1030mm) PC MIDDLE****#0819 41PC**

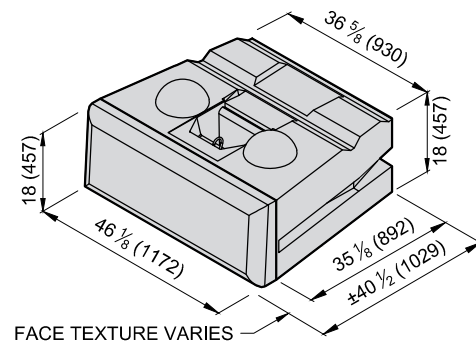
Face Texture: LedgeStone
 Block Weight: 2101 lb (953 kg)
 Block Volume: 14.69 ft³ (0.42 m³)
 Center of Gravity: 20.0" (508 mm)

**28" (710mm) PC BOTTOM****#0818 28PC**

Face Texture: LedgeStone
 Block Weight: 1551 lb (703 kg)
 Block Volume: 10.85 ft³ (0.307 m³)
 Center of Gravity: 13.7" (349 mm)

**41" (1030mm) PC BOTTOM****#0819 28PCB**

Face Texture: LedgeStone
 Block Weight: 2205 lb (1000 kg)
 Block Volume: 15.42 ft³ (0.44 m³)
 Center of Gravity: 19.7" (501 mm)



1. Units for dimensions are inches (mm), typical unless noted otherwise.
2. Confirm block production with licensed Redi-Rock manufacturer.
3. Center of Gravity is measured from the back of block.
4. Actual block volumes and weights may vary.
5. Weights are based upon a concrete density of 143 lb/ft³ (2291kg/m³).

6. Blocks contain a vertical slot for a 12" (300 mm) strip of geogrid soil reinforcement.
7. Interface Shear knobs are typically 10" (254mm) diameter by 4" (102 mm) tall. Smaller knob diameters are available.



**SOUTH OKANAGAN
 CONCRETE PRODUCTS LTD**

TEL: 250-495-7556

socp@socp.ca

www.socp.ca

Block Library
 RETAINING BLOCKS
 Positive Connection Series