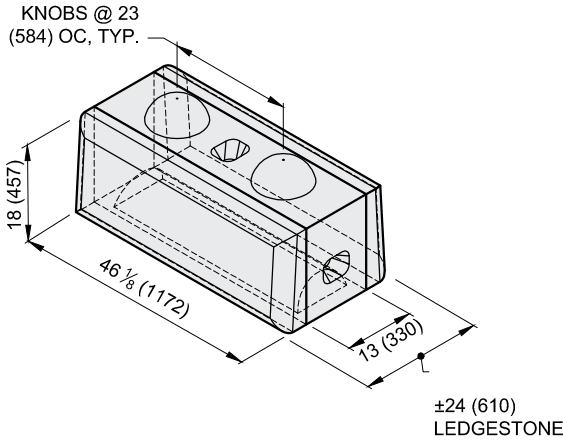


STRAIGHT MIDDLE

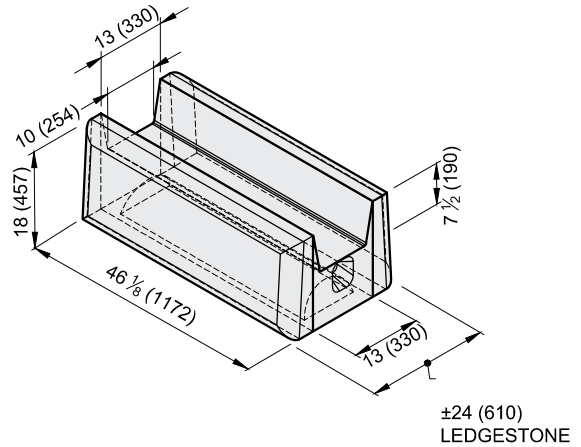
#0839 FM

Face Texture: LedgeStone
 Block Weight: 1264 lb (573 kg)
 Block Volume: 8.84 ft³ (0.250 m³)

**STRAIGHT GARDEN TOP**

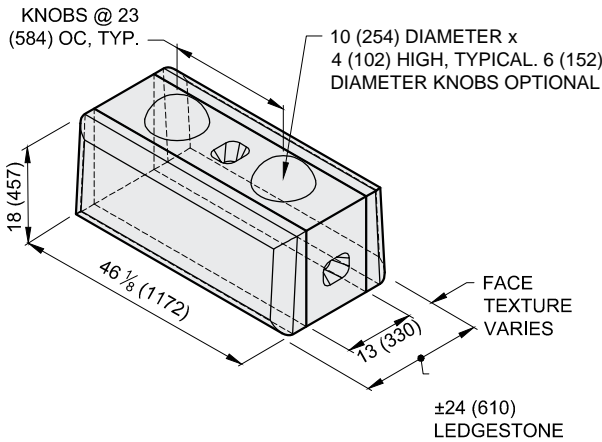
#0843 FG

Face Texture: LedgeStone
 Block Weight: 908 lb (412 kg)
 Block Volume: 6.35 ft³ (0.180 m³)

**STRAIGHT BOTTOM**

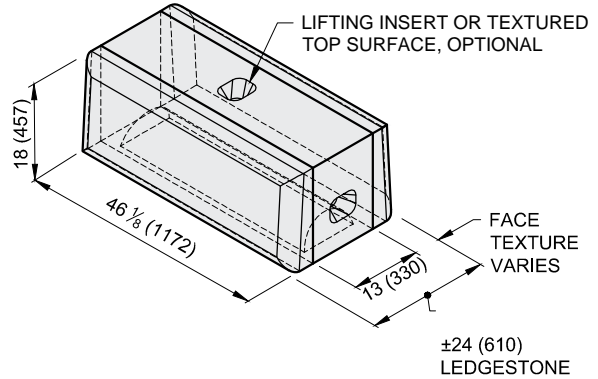
#0841 FB

Face Texture: LedgeStone
 Block Weight: 1381 lb (626 kg)
 Block Volume: 9.66 ft³ (0.273 m³)

**STRAIGHT TOP**

#0837 FST

Face Texture: LedgeStone
 Block Weight: 1232 lb (559 kg)
 Block Volume: 8.62 ft³ (0.244 m³)



1. Units for dimensions are inches (mm), typical unless noted otherwise.
2. Confirm block production with licensed Redi-Rock manufacturer.
3. Architectural faces on the blocks have varying texture.
4. Actual block volumes and weights may vary.
5. Weights are based upon a concrete density of 143 lb/ft³ (2291 kg/m³).

6. 6" (152 mm) diameter vertical semi-cylindrical voids at the ends of the block for mechanical tie-down are available, refer to Force Protection blocks for additional information.
7. Knobs are typically 10" (254mm) diameter by 4" (102 mm) tall. Smaller knobs are available.



**SOUTH OKANAGAN
 CONCRETE PRODUCTS LTD**

TEL: 250-495-7556
 socp@socp.ca
 www.socp.ca

Block Library
FREE STANDING BLOCKS