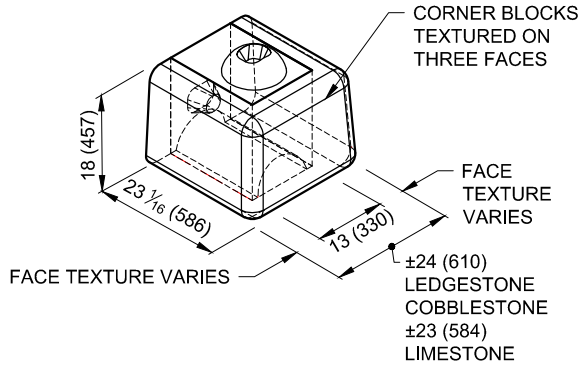


**HALF CORNER MIDDLE****#0836 HMC**

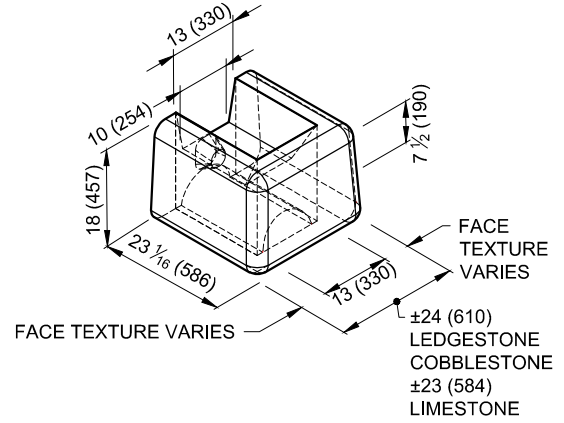
Face Texture: Limestone  
 Block Weight: 660 lb (300kg)  
 Block Volume: 4.6 ft<sup>3</sup> (0.13m<sup>3</sup>)

Ledgestone  
 650 lb (300kg)  
 4.6 ft<sup>3</sup> (0.13m<sup>3</sup>)

**HALF CORNER GARDEN TOP****#0832 HGC**

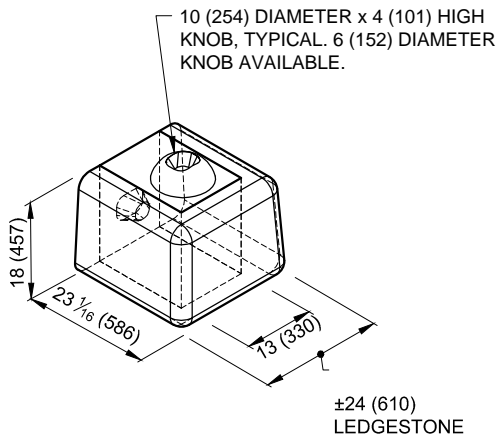
Face Texture: Limestone  
 Block Weight: 530 lb (240kg)  
 Block Volume: 3.7 ft<sup>3</sup> (0.11m<sup>3</sup>)

Ledgestone  
 530 lb (240kg)  
 3.7 ft<sup>3</sup> (0.10m<sup>3</sup>)

**HALF CORNER BOTTOM****#0835 HBC**

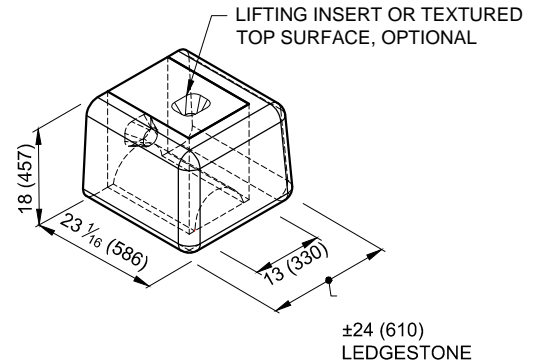
Face Texture: Limestone  
 Block Weight: 710 lb (320kg)  
 Block Volume: 5.0 ft<sup>3</sup> (0.14m<sup>3</sup>)

Ledgestone  
 700 lb (320kg)  
 4.9 ft<sup>3</sup> (0.14m<sup>3</sup>)

**HALF CORNER TOP****#0834 HFC**

Face Texture: Limestone  
 Block Weight: 640 lb (290kg)  
 Block Volume: 4.5 ft<sup>3</sup> (0.13m<sup>3</sup>)

Ledgestone  
 630 lb (290kg)  
 4.4 ft<sup>3</sup> (0.13m<sup>3</sup>)



1. Units for dimensions are inches (mm), typical unless noted otherwise.
2. Confirm block production with licensed Redi-Rock manufacturer.
3. Architectural faces on the blocks have varying texture.
4. Actual block volumes and weights may vary.

5. Weights are based upon a concrete density of 143 lb/ft<sup>3</sup> (2291 kg/m<sup>3</sup>).
6. Knobs are typically 10" (254mm) diameter by 4" (102 mm) tall. Smaller knobs are available.



TEL: 250-495-7556  
 socp@socp.ca  
 www.socp.ca

**Block Library**  
 FREE STANDING BLOCKS  
 Half Blocks