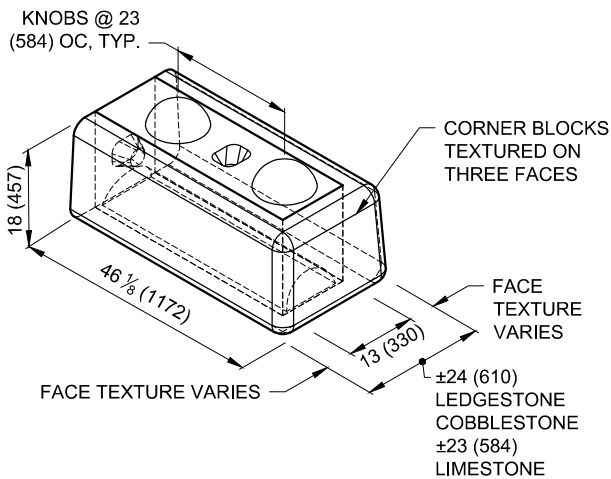


CORNER MIDDLE

#0835 FSC

Face Texture:
Block Weight:
Block Volume:

Ledgestone
1360 lb (617kg)
9.5 ft³ (0.27m³)

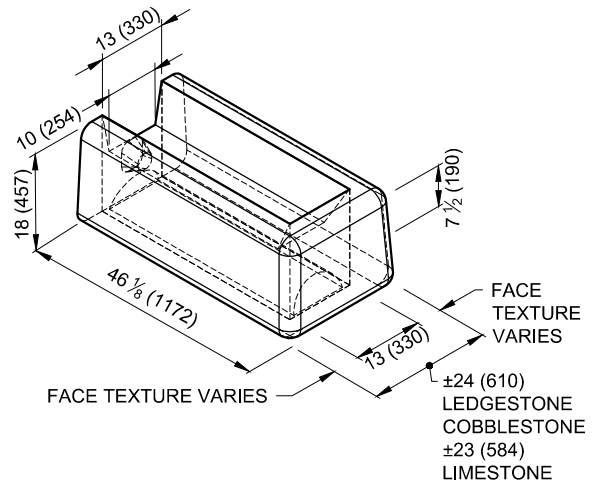


CORNER GARDEN TOP

#0831 GC

Face Texture:
Block Weight:
Block Volume:

Ledgestone
1060 lb (480kg)
7.4 ft³ (0.21m³)

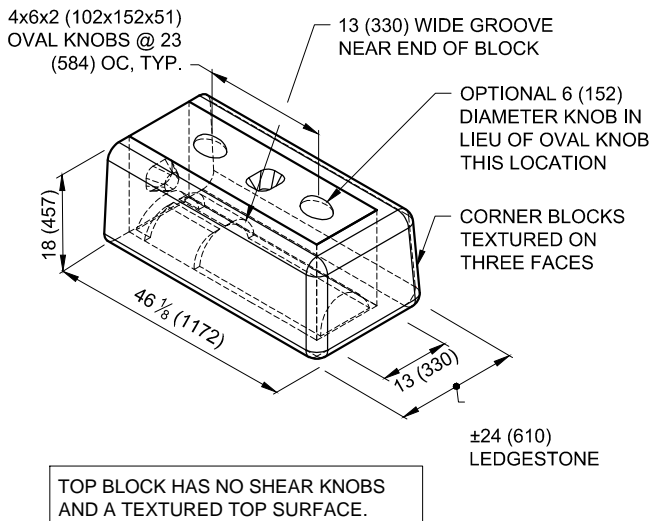


90 DEGREE CORNER

#0835 MC

Face Texture:
Block Weight:
Block Volume:

Ledgestone
1320 lb (600kg)
9.2 ft³ (0.26m³)

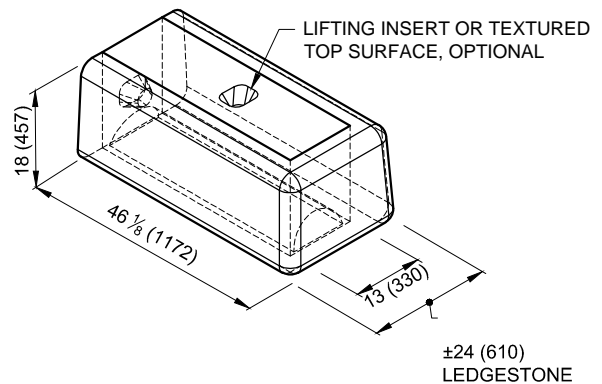


CORNER TOP

#0833 FC

Face Texture:
Block Weight:
Block Volume:

Ledgestone
1330 lb (600kg)
9.3 ft³ (0.26m³)



1. Units for dimensions are inches (mm), typical unless noted otherwise.
2. Confirm block production with licensed Redi-Rock manufacturer.
3. Architectural faces on the blocks have varying texture.
4. Actual block volumes and weights may vary.

5. Weights are based upon a concrete density of 143 lb/ft³ (2291 kg/m³).
6. Knobs are typically 10" (254mm) diameter by 4" (102 mm) tall. Smaller knobs are available.



TEL: 250-495-7556
socp@socp.ca
www.socp.ca

Block Library
FREE STANDING BLOCKS
Corner Blocks