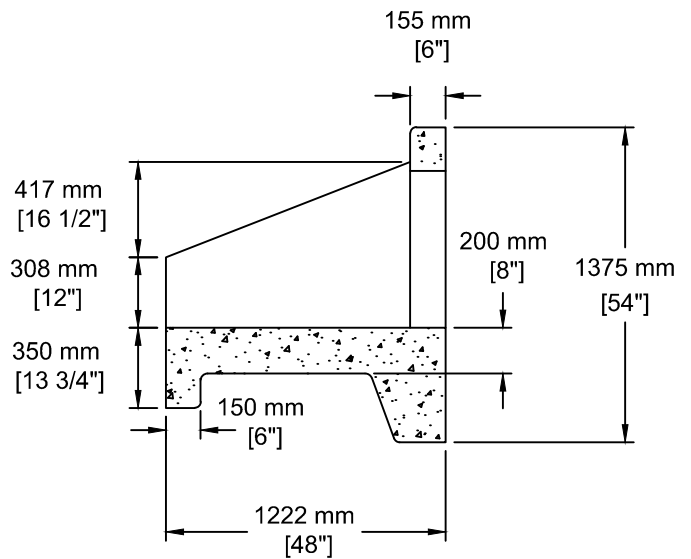
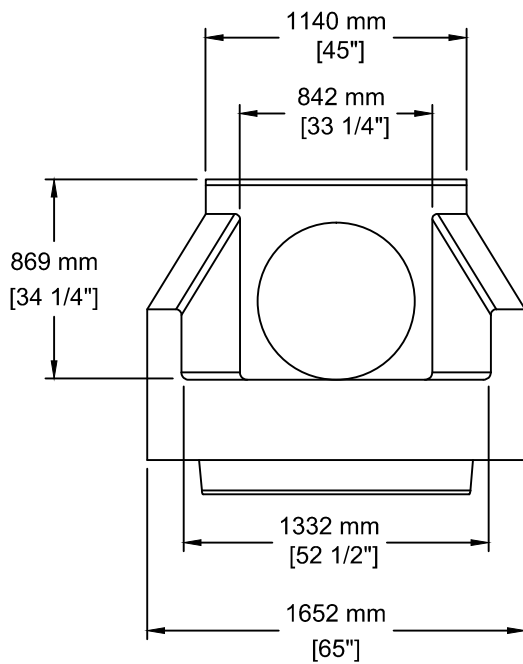


INSTALLATION INFORMATION
 2.5T DOGBONE STYLE LIFTING ANCHORS
 WEIGHT: 2800 LBS / 1270 KG

DESIGN INFORMATION
 HEADWALL CAN BE MADE TO ACCEPT
 PIPE DIAMETER UP TO 600 MM. CAN
 ACCOMMODATE A FLAT GRATE OR A
 HINGED GRATE.



TEL: 250-495-7556
 socp@socp.ca
 www.socp.ca

Box 419, 11602 - 115 st Osoyoos, BC V0H 1V0

FAX: 250-495-3556

**Headwall Structure
 Configuration A**

**Product #
 0532-A**