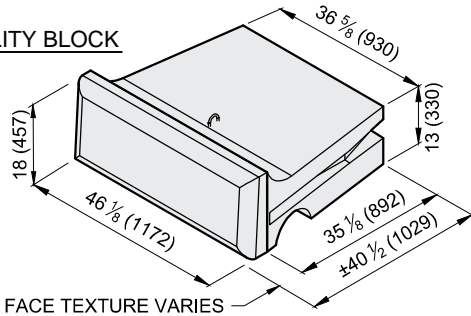


41" (1030mm) TOP ***#0806 41T**

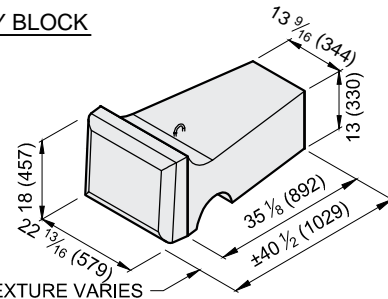
Face Texture: LedgeStone
 Block Weight: 1677 lb (760 kg)
 Block Volume: 11.73 ft³ (0.332 m³)
 Center of Gravity: 20.6" (522 mm)

SPECIALITY BLOCK

FACE TEXTURE VARIES

41" (1030mm) HALF TOP ***#0806 41HT**

Face Texture: LedgeStone
 Block Weight: 735 lb (333 kg)
 Block Volume: 5.14 ft³ (0.15 m³)
 Center of Gravity: 21.6" (550 mm)

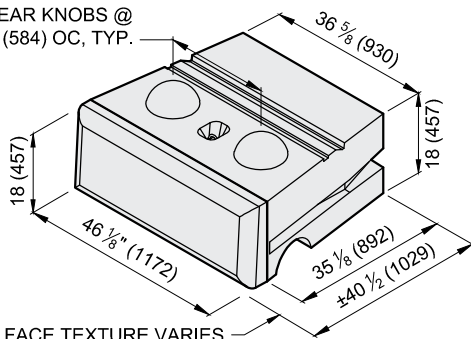
SPECIALITY BLOCK

FACE TEXTURE VARIES

41" (1030mm) MIDDLE**#0806 41M**

Face Texture: LedgeStone
 Block Weight: 2237 lb (1015 kg)
 Block Volume: 15.65 ft³ (0.443 m³)
 Center of Gravity: 19.8" (504 mm)

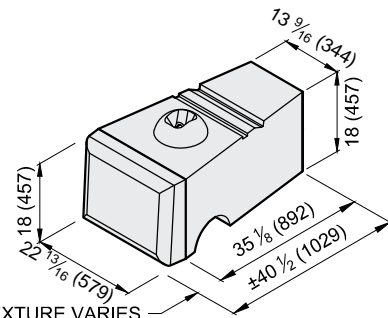
SHEAR KNOBS @
 23 (584) OC, TYP.



FACE TEXTURE VARIES

41" (1030mm) HALF MIDDLE**#0807 41HM**

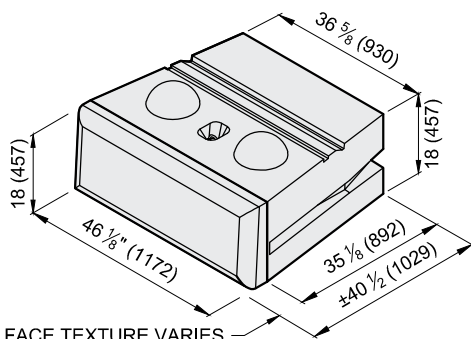
Face Texture: LedgeStone
 Block Weight: 987 lb (447 kg)
 Block Volume: 6.90 ft³ (0.20 m³)
 Center of Gravity: 20.8" (528 mm)



FACE TEXTURE VARIES

41" (1030mm) BOTTOM**#0808 41B**

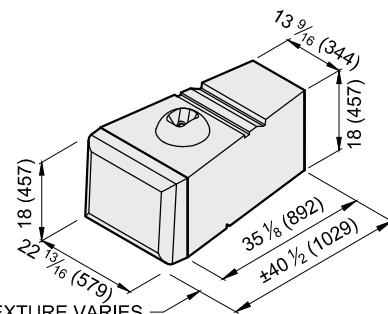
Face Texture: LedgeStone
 Block Weight: 2368 lb (1074 kg)
 Block Volume: 16.56 ft³ (0.469 m³)
 Center of Gravity: 20.2" (514 mm)



FACE TEXTURE VARIES

41" (1030mm) HALF BOTTOM**#0809 41HB**

Face Texture: LedgeStone
 Block Weight: 1048 lb (475 kg)
 Block Volume: 7.33 ft³ (0.21 m³)
 Center of Gravity: 21.2" (538 mm)



FACE TEXTURE VARIES

1. Units for dimensions are inches (mm), typical unless noted otherwise.
2. Confirm block production with licensed Redi-Rock manufacturer.
3. Center of Gravity is measured from the back of block.
4. Actual block volumes and weights may vary.
5. Weights are based upon a concrete density of 143 lb/ft³ (2291kg/m³).

6. Half blocks contain a fork slot on only one side of the block.
7. Interface Shear knobs are typically 10" (254mm) diameter by 4" (102mm) tall. Smaller knob diameters are available.
8. * 41" (1030mm) Top blocks are not typical and used in limited applications.



**SOUTH OKANAGAN
 CONCRETE PRODUCTS LTD**

TEL: 250-495-7556
 socp@socp.ca
 www.socp.ca

Block Library
 41" RETAINING BLOCKS