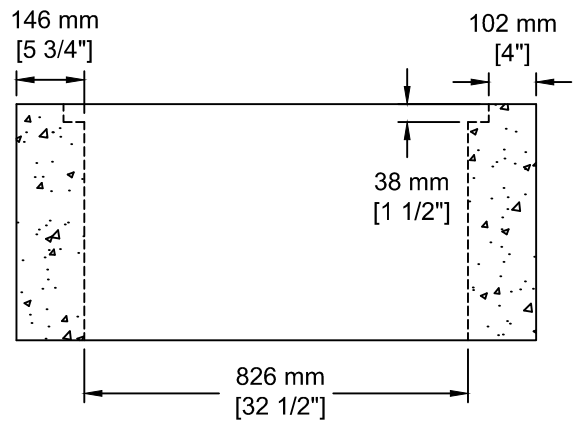
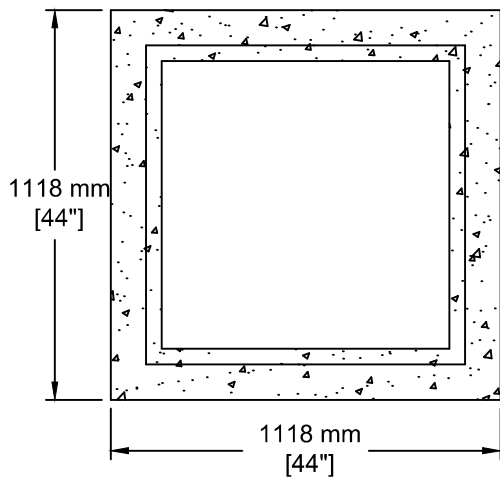


INSTALLATION INFORMATION
 WEIGHT: 1681 LBS / 762 KG



**Square Tree Well Planter
 Exposed Aggregate**

**Product #
 1890-E**



TEL: 250-495-7556
 socp@socp.ca
 www.socp.ca

Box 419, 11602 - 115 st Osoyoos, BC V0H 1V0

FAX: 250-495-3556