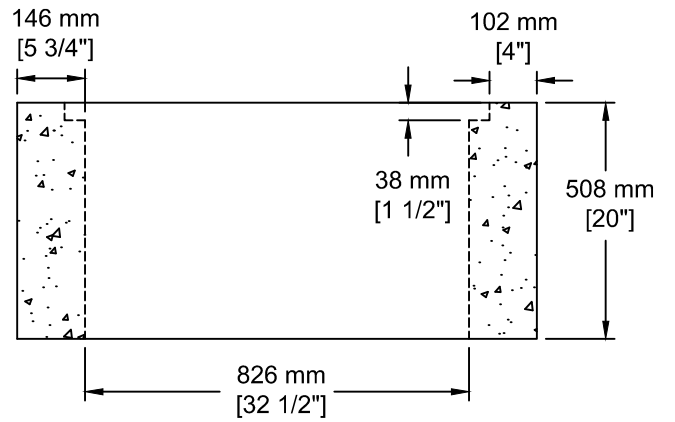
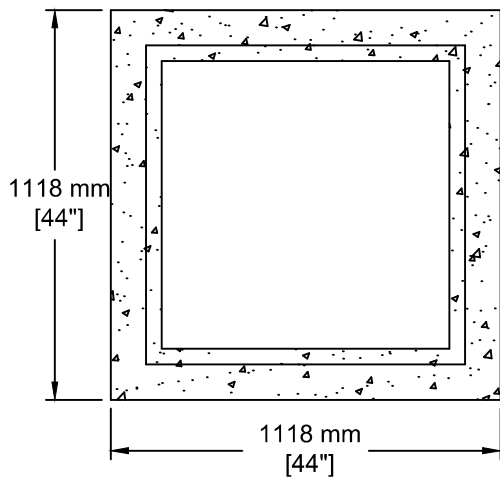


INSTALLATION INFORMATION
 WEIGHT: 1681 LBS / 762 KG



TEL: 250-495-7556
 socp@socp.ca
 www.socp.ca

Square Tree Well Planter

Product #

1890