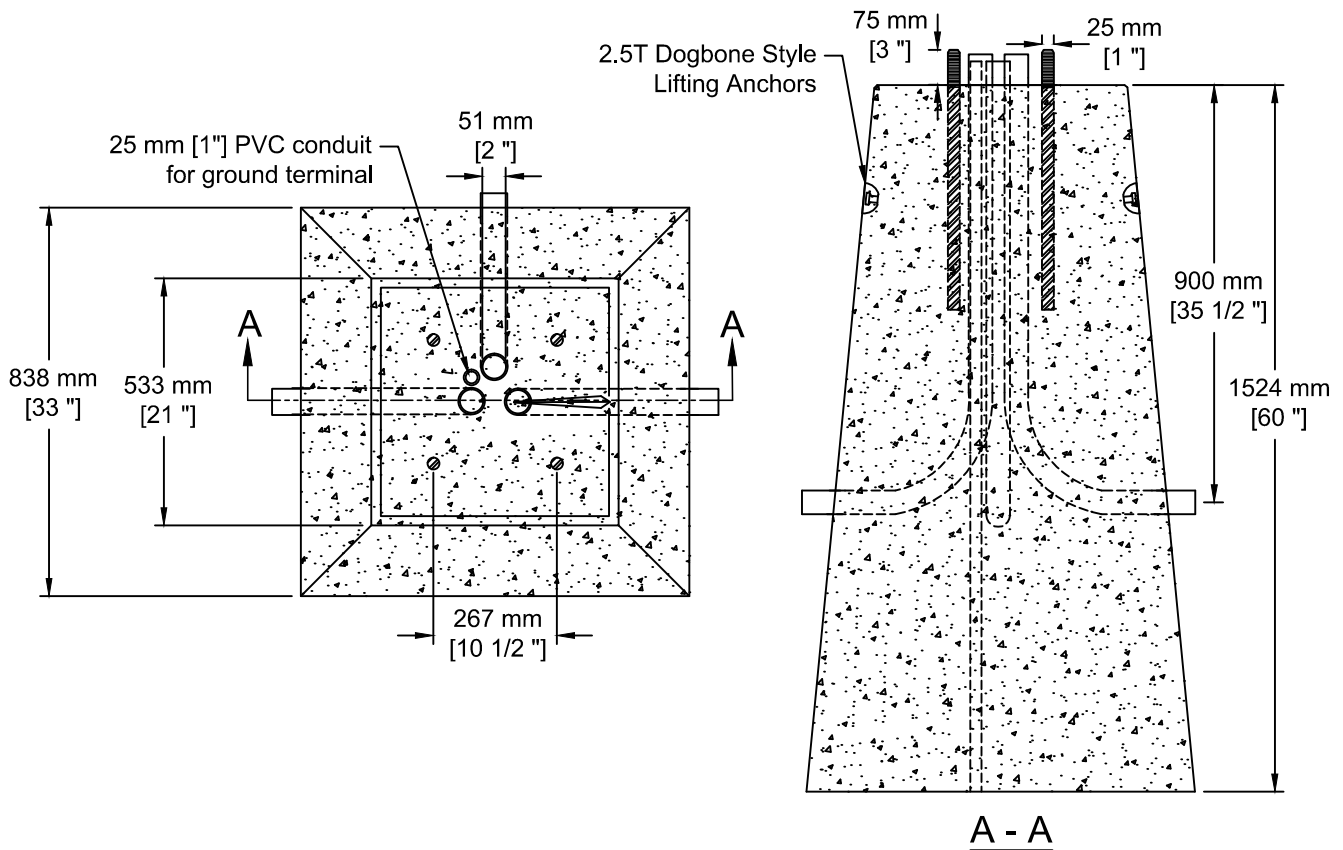


INSTALLATION INFORMATION

2 - 2.5T DOGBONE STYLE LIFTING ANCHORS

10 1/2" BOLT PATTERN

WEIGHT: 3473 LBS / 1575 KG



TEL: 250-495-7556
 socp@socp.ca
 www.socp.ca

Concrete Street Light Base

Product #

1255