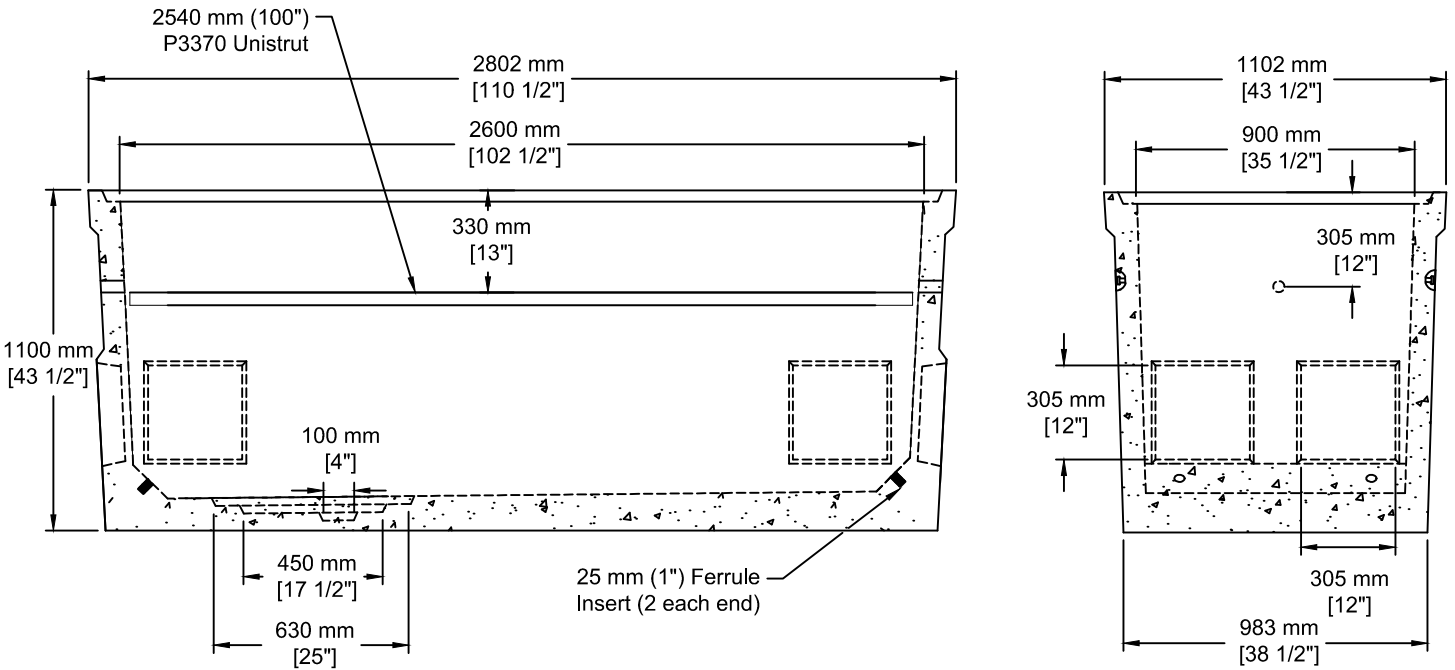


**INSTALLATION INFORMATION**

MANUFACTURED IN ACCORDANCE WITH CSA A23.4

4 - 2.5T DOGBONE STYLE LIFTING ANCHORS

WEIGHT: 4190 LBS / 1900 KG



TEL: 250-495-7556  
 socp@socp.ca  
 www.socp.ca

Box 419, 11602 - 115 st Osoyoos, BC V0H 1V0

FAX: 250-495-3556

3 Phase Primary  
 Junction Box (832) - U-J3-1

Product #

**1210**