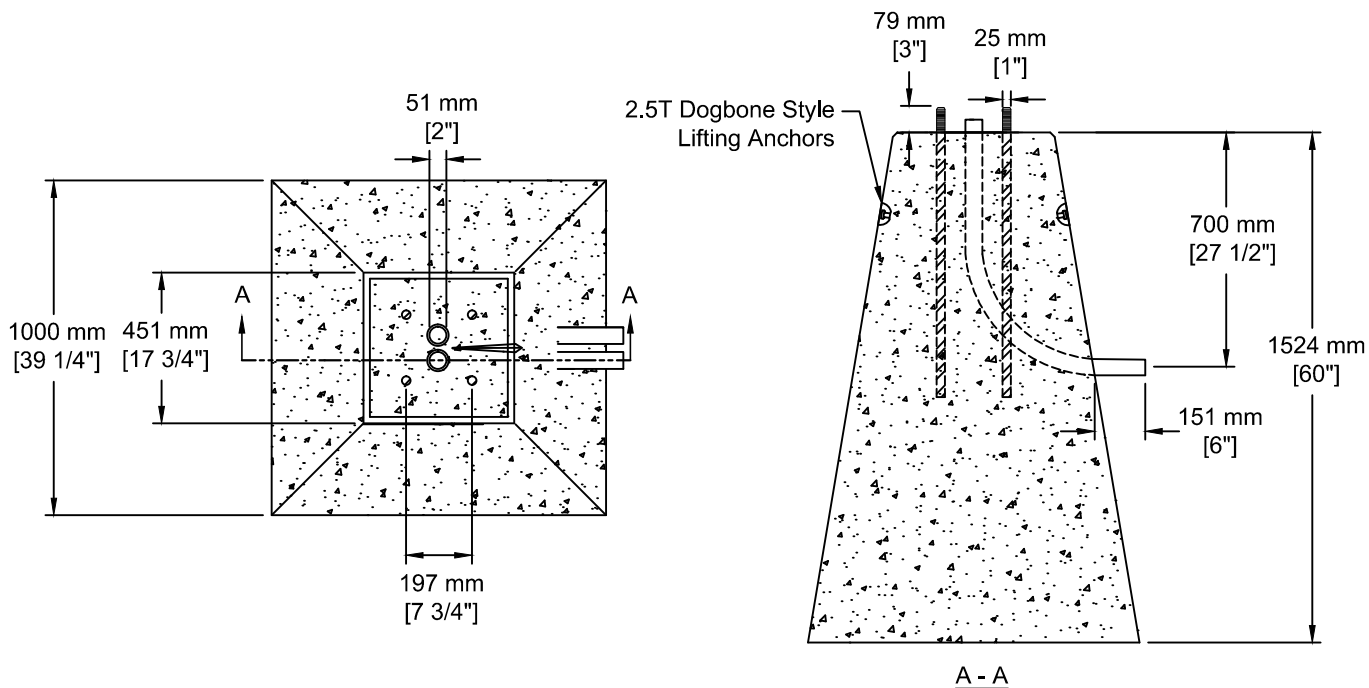


**INSTALLATION INFORMATION**

MANUFACTURED IN ACCORDANCE WITH CSA A23.4

2 - 2.5T DOGBONE STYLE LIFTING ANCHORS

WEIGHT: 4410 LBS / 2000 KG



Fortis # 755-0210



TEL: 250-495-7556  
 socp@socp.ca  
 www.socp.ca

1418 Fortis 1.5m (5')  
 Type C Steet Light Base

Product #  
**1134**