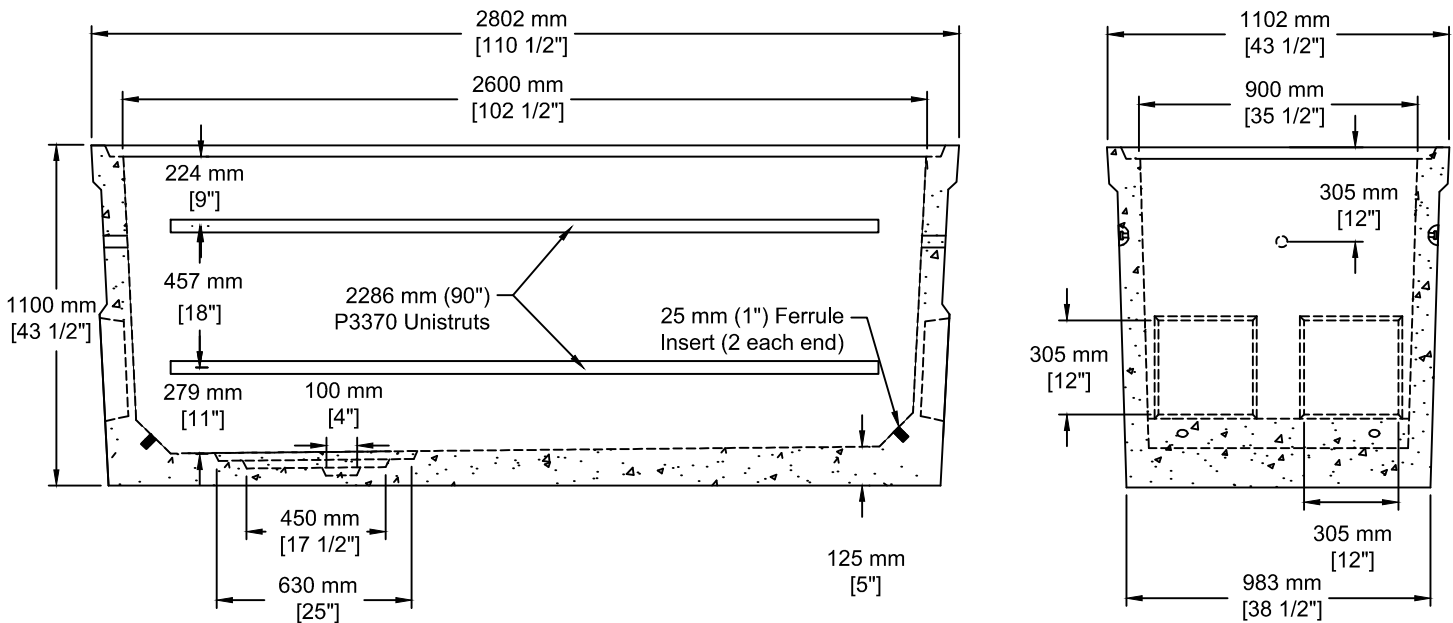


**INSTALLATION INFORMATION**

MANUFACTURED IN ACCORDANCE WITH CSA A23.4

4 - 2.5T DOGBONE STYLE LIFTING ANCHORS

WEIGHT: 4190 LBS / 1900 KG



Fortis # 755-0560



TEL: 250-495-7556  
socp@socp.ca  
www.socp.ca

1594 Fortis 3 Phase 832 Junction Vault  
c/w Knockouts

Product #  
**1125**