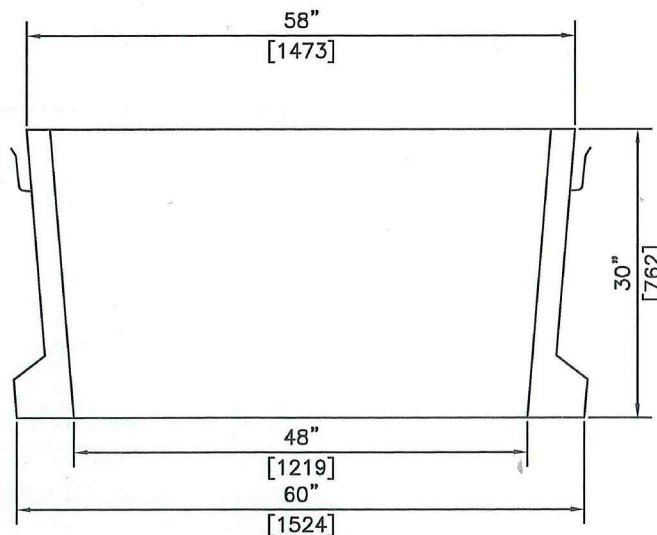


ISOMETRIC



SECTION