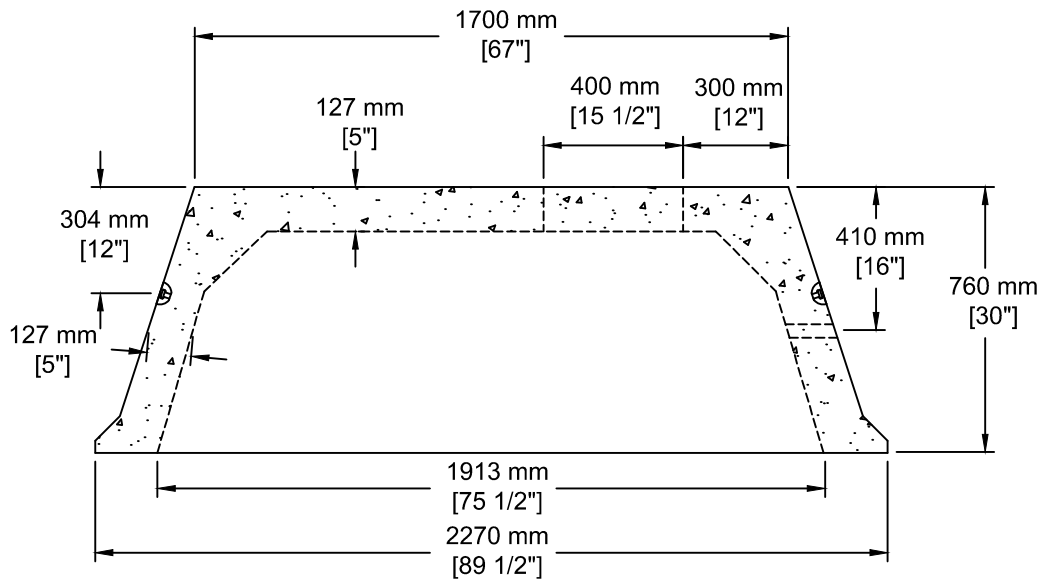


INSTALLATION INFORMATION

MANUFACTURED IN ACCORDANCE WITH CSA A23.4

4 - 2.5T DOGBONE STYLE LIFTING ANCHORS

WEIGHT: 5560 LBS / 2522 KG



Fortis # 755-0570



TEL: 250-495-7556
 socp@socp.ca
 www.socp.ca

1597 Fortis 3 Phase Transformer Base
 500 KVA or Less

Product #

1115