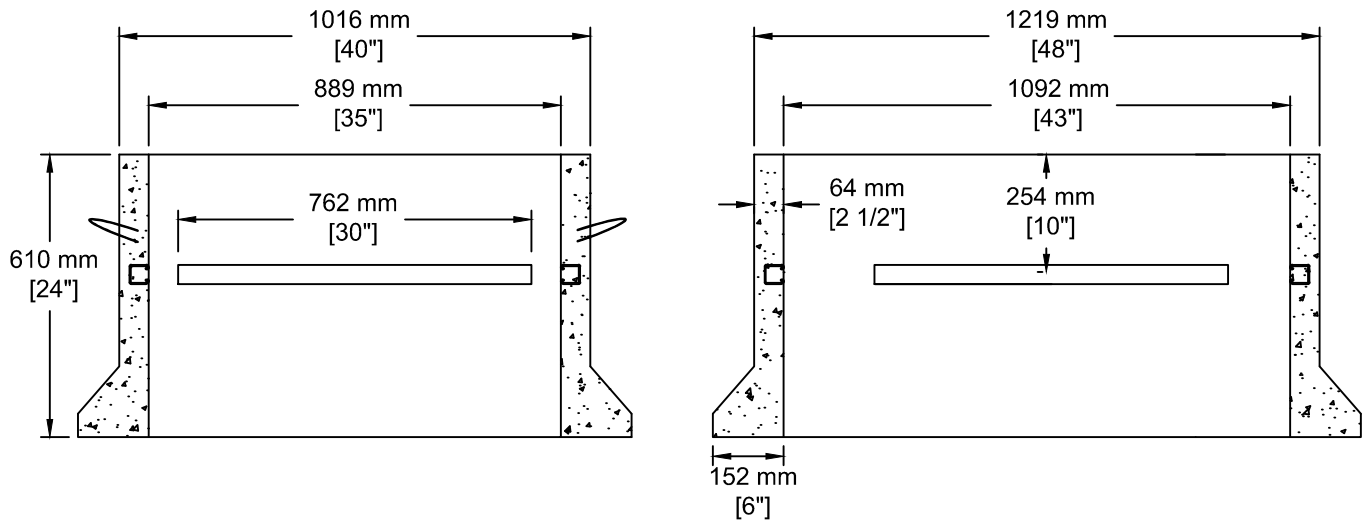


**INSTALLATION INFORMATION**

MANUFACTURED IN ACCORDANCE WITH CSA A23.4  
 2 - 1600 LBS. GALVANIZED STEEL LIFTING CABLE FOR HANDLING  
 WEIGHT: 1090 LBS / 494 KG



Fortis # 755-0506



TEL: 250-495-7556  
 socp@socp.ca  
 www.socp.ca

Box 419, 11602 - 115 st Osoyoos, BC V0H 1V0

FAX: 250-495-3556

1593 Fortis Single Phase  
 Transformer Box /c Unistruts

Product #

**1105-TB**