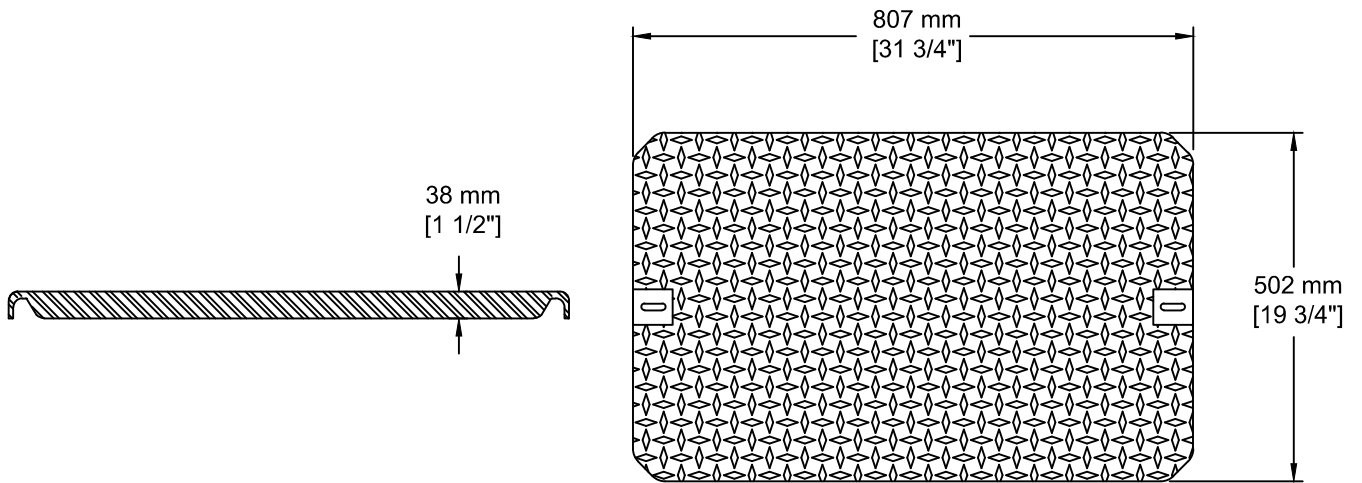


INSTALATION INFORMATION
DESIGNED FOR BOULEVARD (OFF-ROAD) USE - H2O STATIC LOADING



Fortis # 755-0501



TEL: 250-495-7556
 socp@socp.ca
 www.socp.ca

**1590 Fortis Service Box
 Steel Lid**

Product #

1101