

INSTALLATION INFORMATION

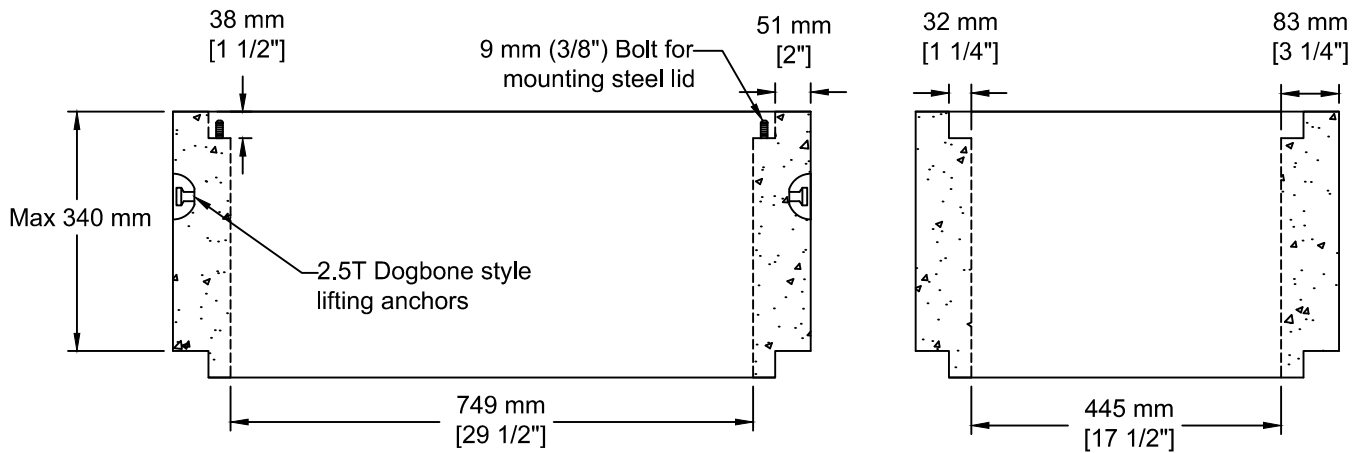
MANUFACTURED IN ACCORDANCE WITH CSA A23.4

2 - 2.5T DOGBONE STYLE LIFTING ANCHORS

TO ACCOMPANY: STRUCTURE # 1590-1

FORTIS # 755-0501

WEIGHT: VARIES



TEL: 250-495-7556
 socp@socp.ca
 www.socp.ca

1590 Fortis Service
 Box Riser

Product #

1100-R