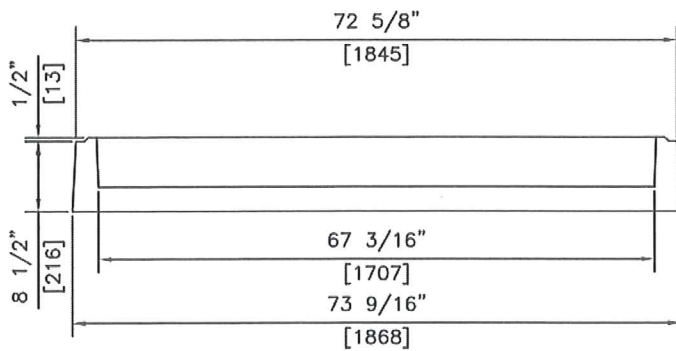
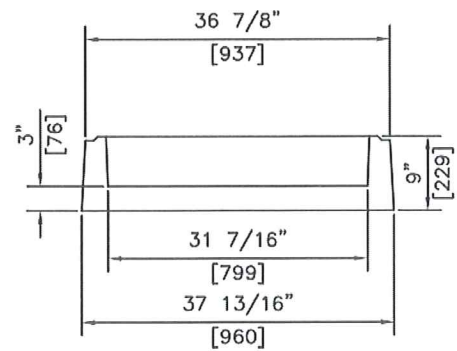


ISOMETRIC



SECTION



END VIEW

Installation Information
 Weight: 950 lbs / 432 kg



TEL: 250-495-7556
 socp@socp.ca
 www.socp.ca

Box 419, 11602 - 115 st Osoyoos, BC V0H 1V0

FAX: 250-495-3556

1102 Splice
 Box Base

Product #
 1030-B