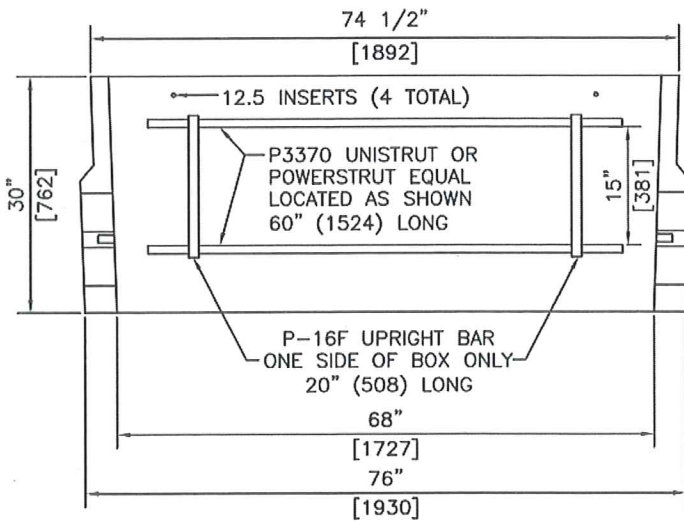
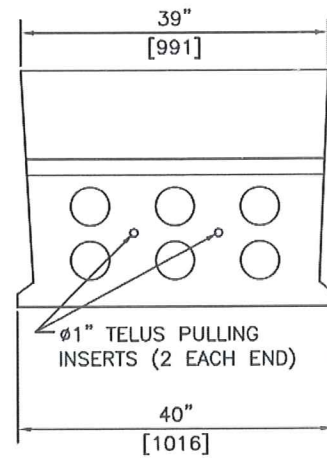


ISOMETRIC



SECTION



END VIEW

Installation Information
Weight: 1600 lbs / 726 kg



TEL: 250-495-7556
socp@socp.ca
www.socp.ca

1102 Splice Box

Product #

1030