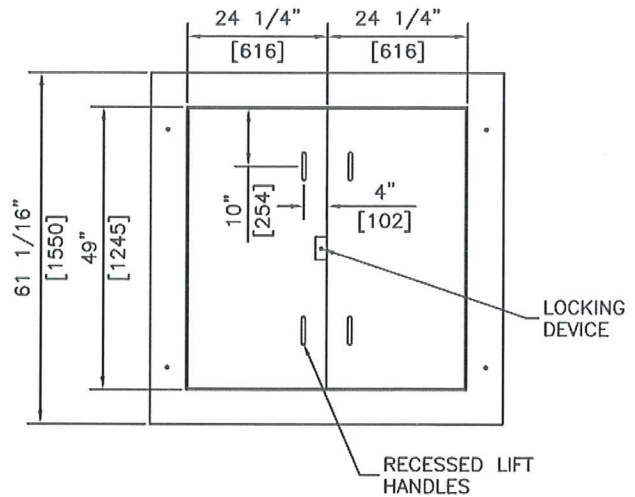
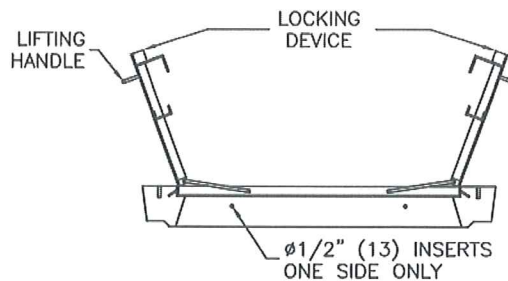
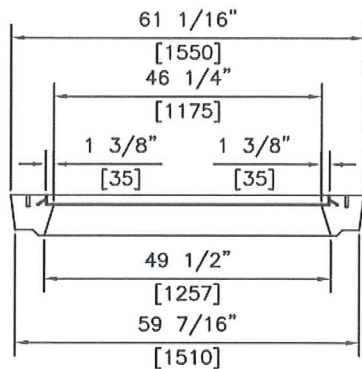


PLAN VIEW
CONC. LID & GALV. FRAME



PLAN VIEW
CONC. LID & STEEL DOORS



SECTIONS

Installation Information
Weight: 1000 lbs / 454 kg



TEL: 250-495-7556
socp@socp.ca
www.socp.ca

1.5 Meter Service Vault
Steel Lid /c Concrete Collar

Product #
1021