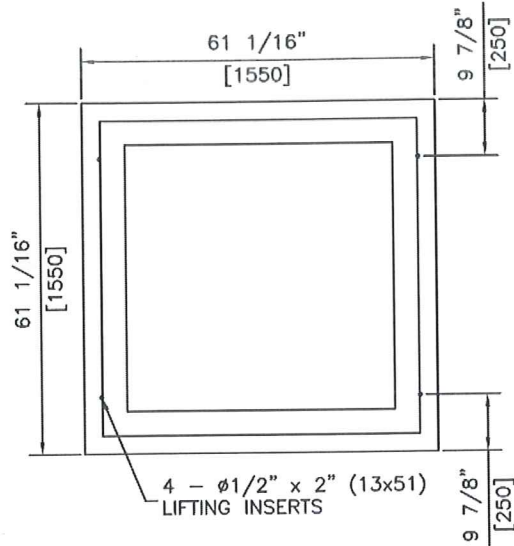
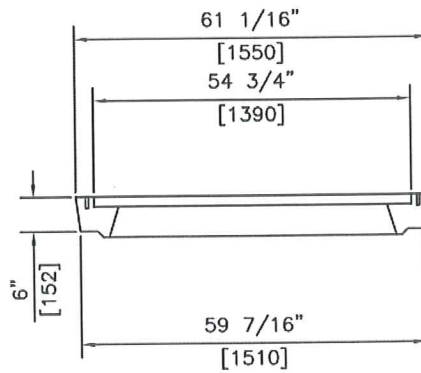


150mm SPACER - 1.5 SERVICE BOX



PLAN VIEW



**1.5 Meter Service Vault
6" Riser**

**Product #
1020-R6**



**SOUTH OKANAGAN
CONCRETE PRODUCTS LTD**

TEL: 250-495-7556
socp@socp.ca
www.socp.ca

Box 419, 11602 - 115 st Osoyoos, BC V0H 1V0

FAX: 250-495-3556