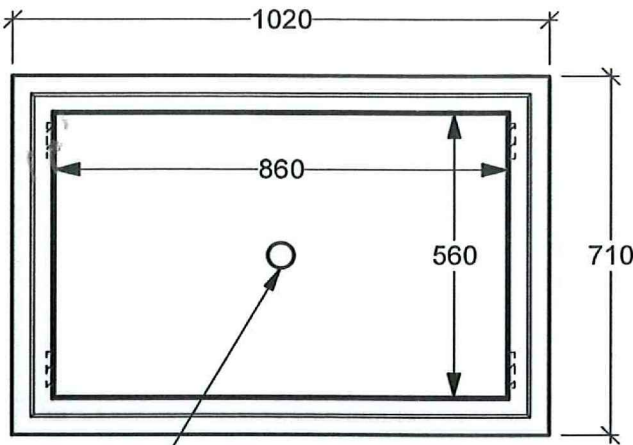
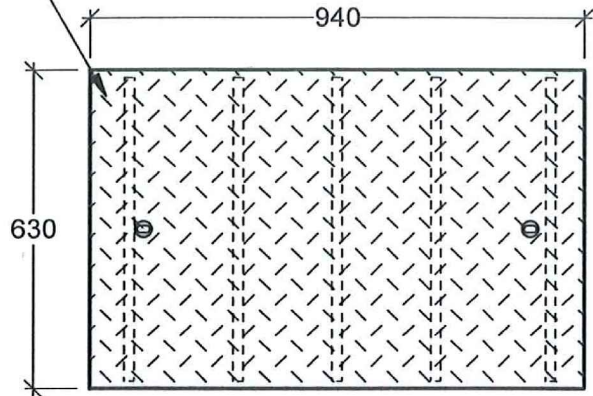


Painted Black, Bolt-down, Steel Checker Plate Lids
 Options: Galvanizing, Padlock Recess
 Remote Reader Holes
 Weld Marking e.g. "ELEC"

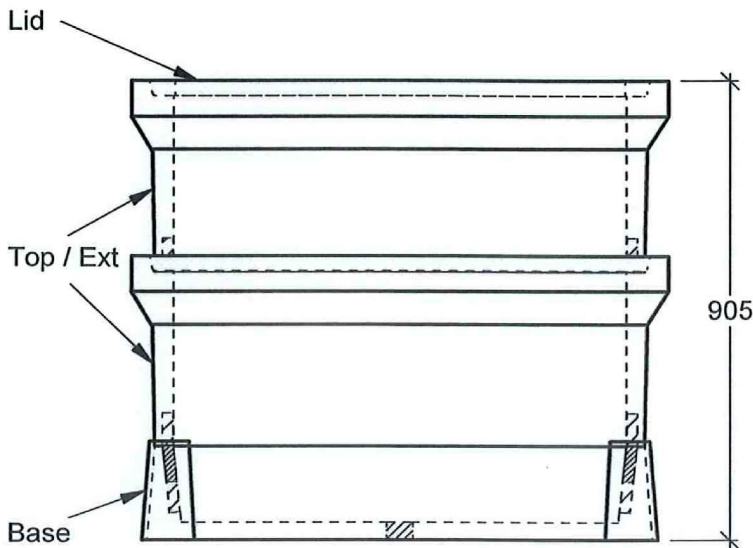


50Ø Drain Hole
 in Center

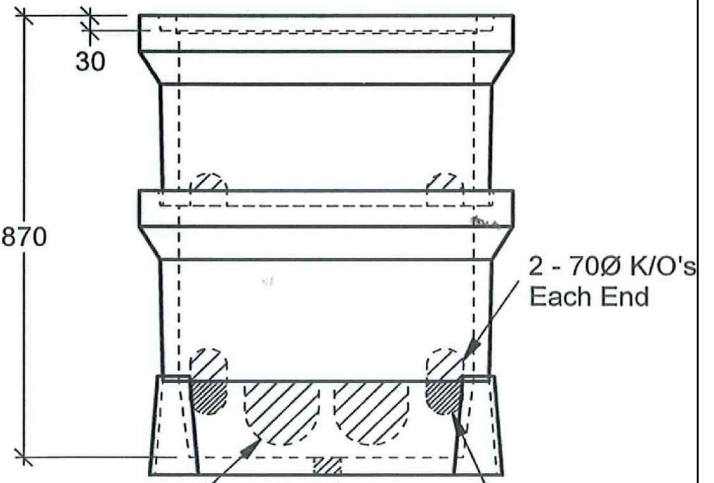
Plan View



Plan View - Lid



Side View



2 - 130Ø K/O's
 Each End

End View

2 - 70Ø K/O's
 Each End

2 - 70Ø K/O's
 Each End

General Notes:

- Products manufactured in accordance with CSA A23.4
- Designed for Boulevard (Off-Road) Use - H-20 Static Loading
- Steel Products manufactured under CSA W47.1 in accordance to CSA W59
- Site Installation, Backfilling & Suitability for Use is the responsibility of others.

SOC
 SOUTH OKANAGAN
 CONCRETE PRODUCTS LTD

TEL: 250-495-7556
 socp@socp.ca
 www.socp.ca

Box 419, 11602 - 115 st Osoyoos, BC V0H 1V0 FAX: 250-495-3556

**5686 Service Box
 Complete**

**Product #
 1008**