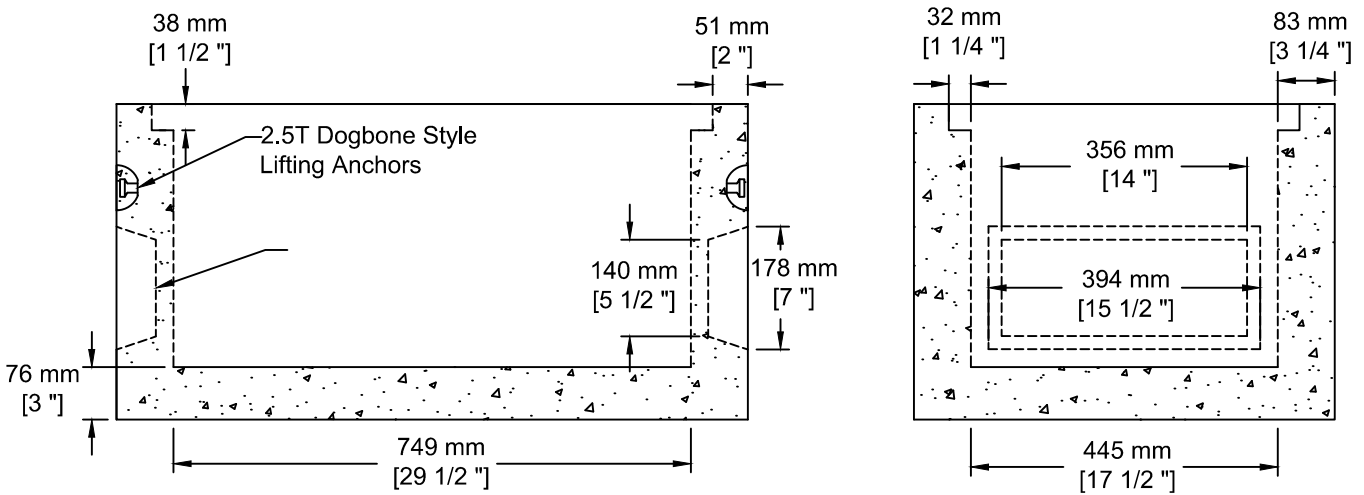


**INSTALLATION INFORMATION**

2 - 2.5T DOGBONE STYLE LIFTING ANCHORS

WEIGHT: 532 LBS / 241 KG



TEL: 250-495-7556

socp@socp.ca

www.socp.ca

Box 419, 11602 - 115 st Osoyoos, BC V0H 1V0

FAX: 250-495-3556

**Service Box**  
c/ Base and Knockouts

Product #

**1005-B**