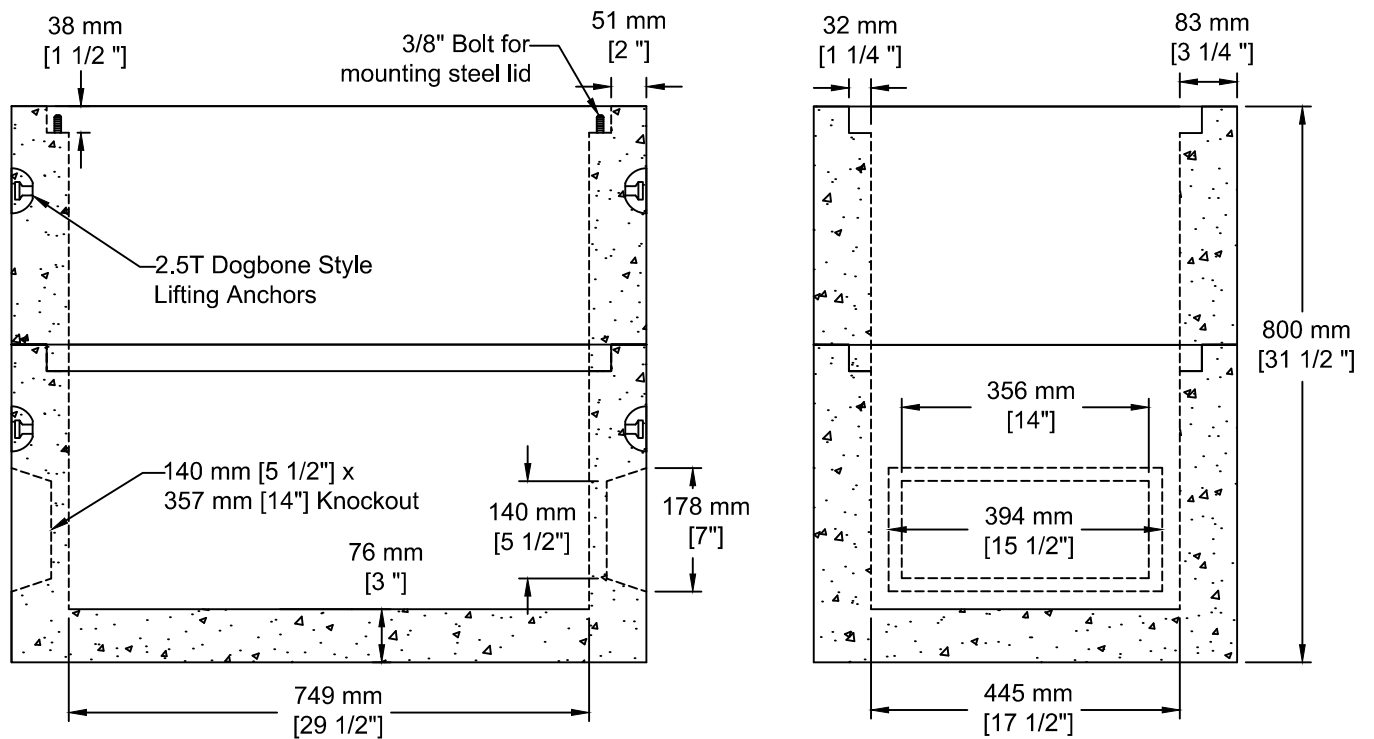


INSTALLATION INFORMATION

2 - 2.5T DOGBONE STYLE LIFTING ANCHORS

WEIGHT: LBS / KG



TEL: 250-495-7556
socp@socp.ca
www.socp.ca

2436 Service Box

Product #

1005