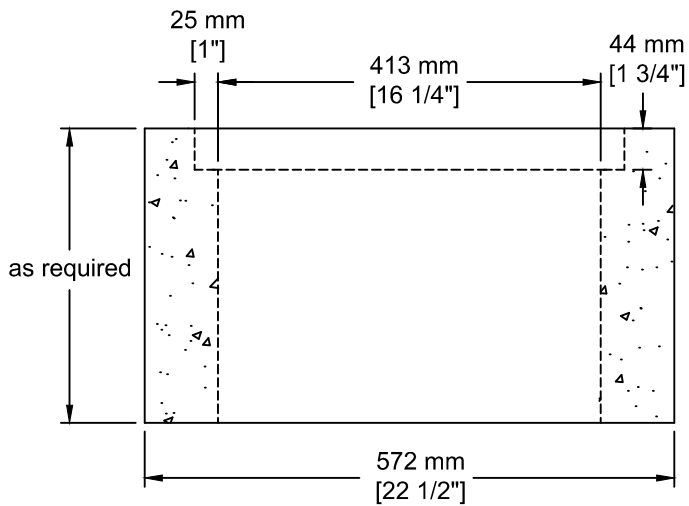
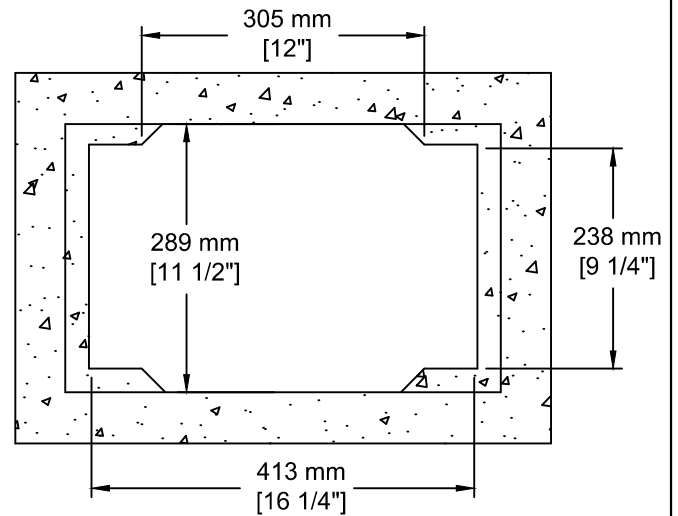


INSTALLATION INFORMATION
 STEEL CABLE FOR HANDLING
 WEIGHT: 150 LBS / 68 KG

Side View



Top View



TEL: 250-495-7556
 socp@socp.ca
 www.socp.ca

Box 419, 11602 - 115 st Osoyoos, BC V0H 1V0

FAX: 250-495-3556

Type 37
 Service Box Riser (max 12")

Product #

1000-R