

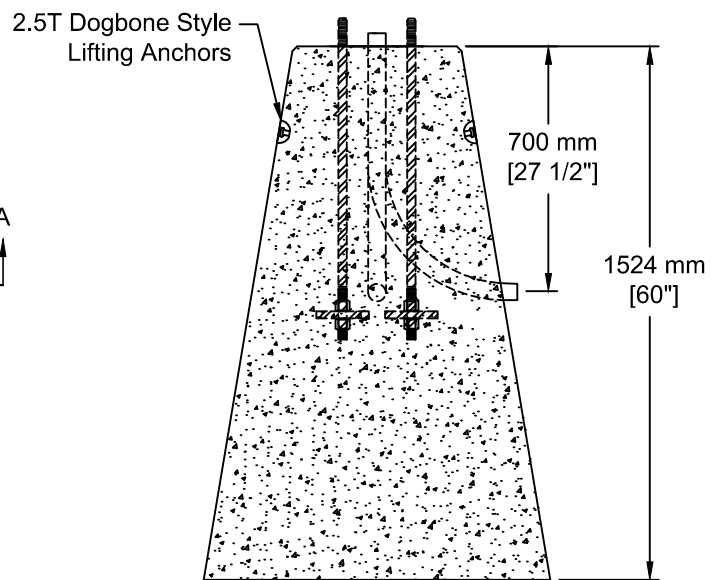
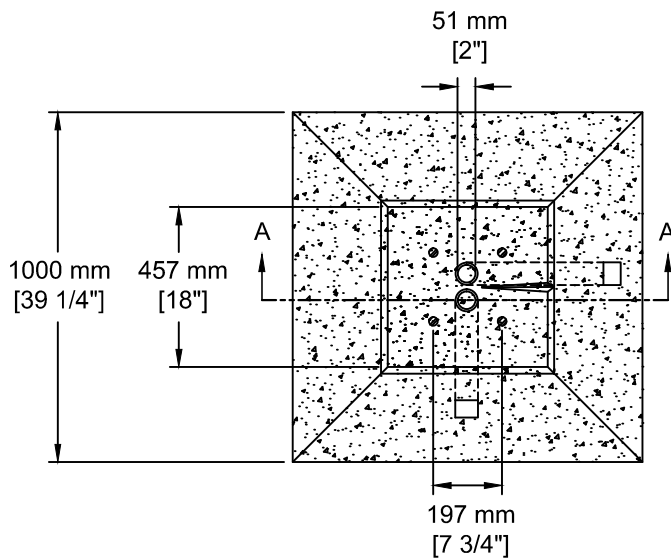
INSTALLATION INFORMATION

2 - 2.5T DOGBONE STYLE LIFTING ANCHORS

BOLT CIRCLE - 11" (280MM)

CONDUIT - AS REQUIRED

WEIGHT: 4410 LBS / 2000 KG



A - A



TEL: 250-495-7556
socp@socp.ca
www.socp.ca

**MMCD - Type C
Concrete Base**

Product #

0975