

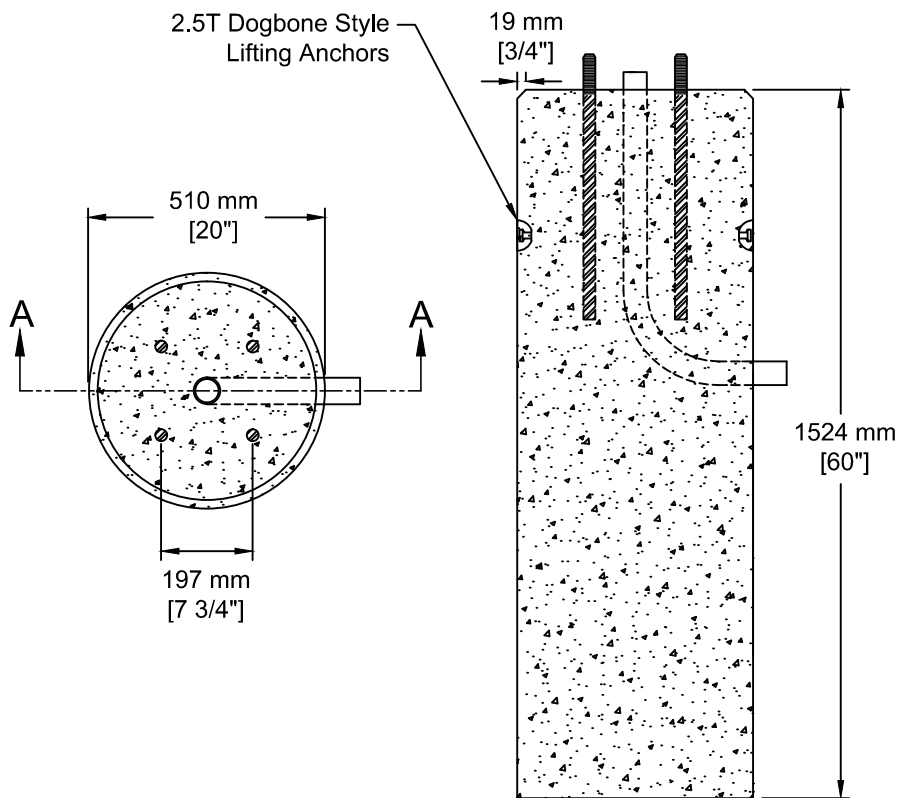
INSTALLATION INFORMATION

2 - 2.5T DOGBONE STYLE LIFTING ANCHORS

CONDUIT - AS REQUIRED

BOLT PATTERN - AS REQUIRED

WEIGHT: LBS / KG



TEL: 250-495-7556
 socp@socp.ca
 www.socp.ca

Box 419, 11602 - 115 st Osoyoos, BC V0H 1V0

FAX: 250-495-3556

1.5m (5') Round
 Concrete Base

Product #

0935-20